
















Aseptic Valves



page

3	 Technical Informations
4	 Angle Valves
8	 Double Angle Valves
12	 Cross Valves
14	 Change Over Valves
18	 Bottom Seat Valves
30	 Inclined Seat Valves
34	 Straight-Way Valves
40	 Regulating Valves
42	 Mix Proof Valves N7
48	 Mix Proof Valves N13
51	 Sealing Kits
56	 Rinsing Inlets and Flanges for Bottom Seat Valves



Aseptic Valves





Aseptic Valves



The valve body of the **RIEGER Aseptic Valves** is hermetically sealed against environment and this guarantees complete security for your products. The design of the valve bodies eliminating dead space and the optimised surfaces make them a prerequisite for sterile process engineering. Also in special conditions such as high sterilization temperatures. RIEGER-Aseptic Valves fulfil all demands on operational security and reliable function..

Your advantages

Design	solid housing no dead spaces completely draining many built-in positions possible
Product safety	complete separation from environment no dome or sump in product space
Maintenance	change of seals without special tools less standing times optimum cleanability
Efficiency	long life of the PTFE bellows standard seals low spare part costs

Technical Data

Material	in product contact	1.4404/AISI316L	
	optional	1.4435/AISI316L	
	non product contact	1.4301/AISI304	
Seals	PTFE-bellows	PTFE	
	metal bellows	1.4571/1.4404	
	O-rings/seals	EPDM (FDA)	
Temperatures	maximum	EPDM	PTFE
	operating-temperature	130 °C (266 °F)	121 °C (250 °F)
	sterilizing temperature	150 °C (300 °F)	135 °C (275 °F) short time*
			(approx. 20 min)
Operating pressure	closing pressure	max. 6 bar (87 psi)	
	actuator air pressure	min. 6 bar (87 psi) - max. 10 bar (145 psi)	
Surfaces	product wetted	RA <= 0,8 µm	
	optional	e-polished, other surfaces on request RA <=1,6 µm	
Connections Standard-pipes	non product contact		
		DIN 11850-R2 (DIN 11866 A)	
		O.D.-Tube (DIN 11866 C) DIN EN ISO 1127 (DIN 11866-B)	



3A-versions available

see 3A-certificate on website www.rr-rieger.de



*dependent upon operating conditions

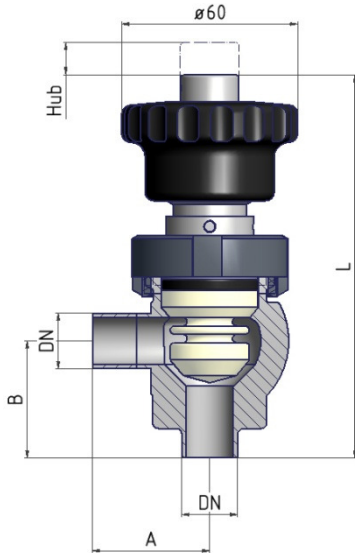


Aseptic Valves



Aseptic Angle Valve E4

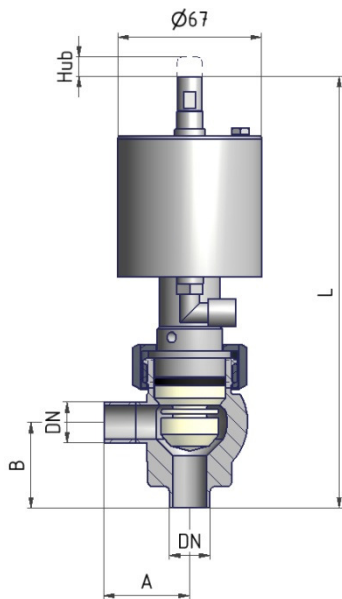
with hand wheel



DN	Pipe	A	B	C	L	Stroke	kg
10	13 x 1,5	35	35	48	125	5	
15	19 x 1,5	40	40	48	130	5	
20	23 x 1,5	45	45	48	135	5	

Aseptic Angle Valve E31

pneumatic – air to open/spring to close NC



DN	Pipe	A	B	C	L	Stroke	kg
10	13 x 1,5	35	35	64	200	5	
15	19 x 1,5	40	40	64	205	5	
20	23 x 1,5	45	45	64	210	5	



Aseptic Valves



Aseptic Angle Valve E4

with hand wheel

PTFE-Bellows - E4.02

DN	Reference Number	Price
10	40004.2000.05.0001.32	427 €
15	40004.2000.05.0002.32	427 €
20	40004.2000.05.0003.32	427 €

Aseptic Angle Valve E31

pneumatic – air to open/spring to close NC

PTFE-Bellows - E31.02

DN	Reference Number	Price
10	40001.2000.05.0001.32	593 €
15	40001.2000.05.0002.32	593 €
20	40001.2000.05.0003.32	593 €

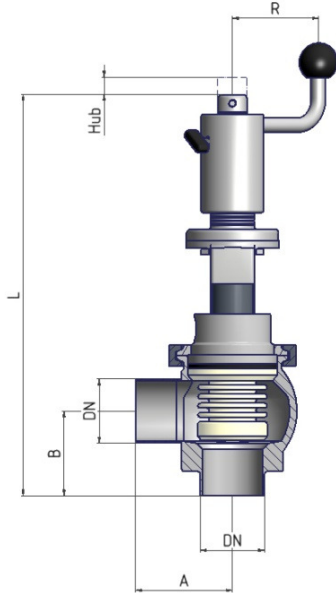


Aseptic Valves



Aseptic Angle Valve E4

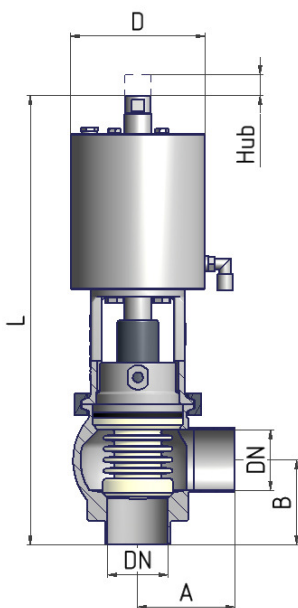
with crank handle



DN	Pipe	A	B	R	L	Stroke	kg
25	29 x 1,5	50	50	73	310	7	
40	41 x 1,5	60	60	73	330	9	
50	53 x 1,5	80	70	90	400	12	
65	70 x 2	100	80	90	415	16	
80	85 x 2	125	90	90	445	18	
100	104 x 2	150	100	90	465	23	
1"	25,4 x 1,65	50	50	73	310	7	
1 1/2"	38,1 x 1,65	60	60	73	330	9	
2"	50,8 x 1,65	80	70	90	400	12	
2 1/2"	63,5 x 1,65	100	80	90	415	15	
3"	76,2 x 1,65	125	90	90	445	18	
4"	101,6 x 2,11	150	100	90	465	23	

Aseptic Angle Valve E31

pneumatic – air to open/spring to close NC



DN	Pipe	A	B	D	L	Stroke	kg
25	29 x 1,5	50	50	90	310	7	
40	41 x 1,5	60	60	90	325	9	
50	53 x 1,5	80	70	110	384	12	
65	70 x 2	100	80	133	445	16	
80	85 x 2	125	90	160	509	18	
100	104 x 2	150	100	168	527	23	
1"	25,4 x 1,65	50	50	90	310	7	
1 1/2"	38,1 x 1,65	60	60	90	325	9	
2"	50,8 x 1,65	80	70	110	384	12	
2 1/2"	63,5 x 1,65	100	80	133	445	16	
3"	76,2 x 1,65	125	90	160	509	18	
4"	101,6 x 2,11	150	100	168	527	23	



Aseptic Valves



Aseptic Angle Valve E4

with crank handle

PTFE-Bellows E4.02			Metal Bellows E4.03	
DN	Reference Number	Price	Reference Number	Price
25	40040.2000.05.0004.32	516 €	40040.3000.01.0004.32	831 €
40	40040.2000.05.0006.32	593 €	40040.3000.01.0006.32	992 €
50	40040.2000.05.0007.32	654 €	40040.3000.01.0007.32	1043 €
65	40040.2000.05.0008.32	920 €	40040.3000.01.0008.32	1380 €
80	40040.2000.05.0009.32	1380 €	40040.3000.01.0009.32	1943 €
100	40040.2000.05.0010.32	1585 €	40040.3000.01.0010.32	2756 €
1"	40040.2000.05.0024.32	516 €	40040.3000.01.0024.32	831 €
1 1/2"	40040.2000.05.0026.32	593 €	40040.3000.01.0026.32	992 €
2"	40040.2000.05.0027.32	654 €	40040.3000.01.0027.32	1043 €
2 1/2"	40040.2000.05.0028.32	920 €	40040.3000.01.0028.32	1380 €
3"	40040.2000.05.0029.32	1380 €	40040.3000.01.0029.32	1943 €
4"	40040.2000.05.0030.32	1585 €	40040.3000.01.0030.32	2756 €

Aseptic Angle Valve E31

pneumatic – air to open/spring to close NC

PTFE-Bellows E31.02			Metal Bellows E31.03	
DN	Reference Number	Price	Reference Number	Price
25	40010.2000.05.0004.32	716 €	40010.3000.01.0004.32	1061 €
40	40010.2000.05.0006.32	833 €	40010.3000.01.0006.32	1197 €
50	40010.2000.05.0007.32	890 €	40010.3000.01.0007.32	1294 €
65	40010.2000.05.0008.32	1329 €	40010.3000.01.0008.32	1789 €
80	40010.2000.05.0009.32	1841 €	40010.3000.01.0009.32	2377 €
100	40010.2000.05.0010.32	2045 €	40010.3000.01.0010.32	3216 €
1"	40010.2000.05.0024.32	716 €	40010.3000.01.0024.32	1061 €
1 1/2"	40010.2000.05.0026.32	833 €	40010.3000.01.0026.32	1197 €
2"	40010.2000.05.0027.32	890 €	40010.3000.01.0027.32	1294 €
2 1/2"	40010.2000.05.0028.32	1329 €	40010.3000.01.0028.32	1789 €
3"	40010.2000.05.0029.32	1841 €	40010.3000.01.0029.32	2377 €
4"	40010.2000.05.0030.32	2045 €	40010.3000.01.0030.32	3216 €

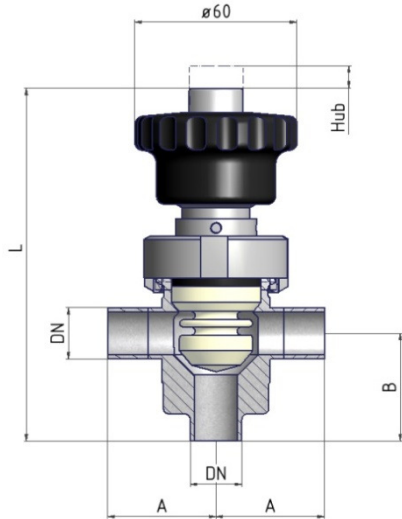


Aseptic Valves



Aseptic Double Angle Valve E4

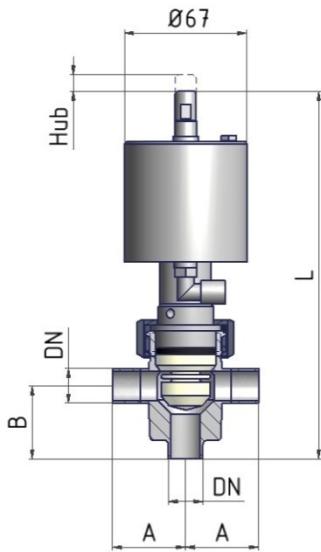
with hand wheel



DN	Pipe	A	B	D	L	Stroke	kg
10	13 x 1,5	35	35	48	125	5	
15	19 x 1,5	40	40	48	130	5	
20	23 x 1,5	45	45	48	135	5	

Aseptic Double Angle Valve E31

pneumatic – air to open/spring to close NC



DN	Pipe	A	B	D	L	Stroke	kg
10	13 x 1,5	35	35	64	200	5	
15	19 x 1,5	40	40	64	205	5	
20	23 x 1,5	45	45	64	210	5	



Aseptic Valves



Aseptic Double Angle Valve E4

with hand wheel

PTFE-Bellows E4.12

DN	Reference Number	Price
10	40104.2000.05.0001.32	514 €
15	40104.2000.05.0002.32	514 €
20	40104.2000.05.0003.32	514 €

Aseptic Double Angle Valve E31

pneumatic – air to open/spring to close NC

PTFE-Bellows E31.12

DN	Reference Number	Price
10	40101.2000.05.0001.32	680 €
15	40101.2000.05.0002.32	680 €
20	40101.2000.05.0003.32	680 €

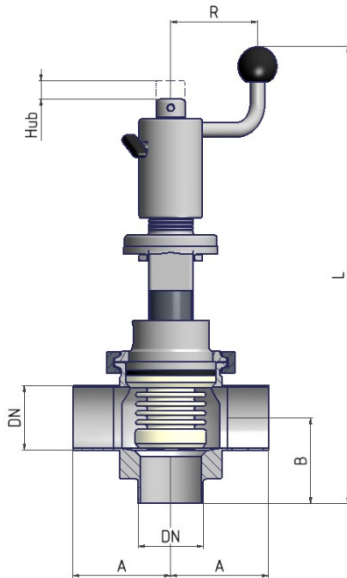


Aseptic Valves



Aseptic Double Angle Valve E4

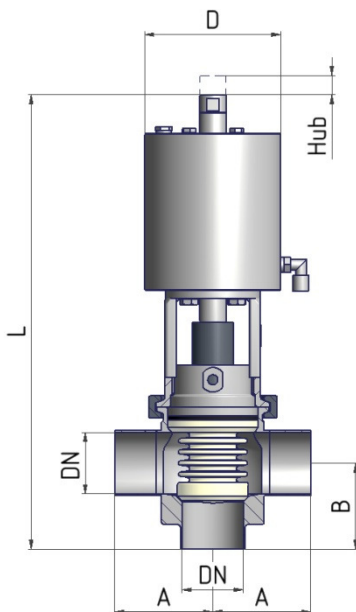
with crank handle



DN	Pipe	A	B	R	L	Stroke	kg
25	29 x 1,5	50	50	73	310	7	
40	41 x 1,5	60	60	73	330	9	
50	53 x 1,5	80	70	90	400	12	
65	70 x 2	100	80	90	415	16	
80	85 x 2	125	90	90	445	18	
100	104 x 2	150	100	90	465	23	
1"	25,4 x 1,65	50	50	73	310	7	
1 1/2"	38,1 x 1,65	60	60	73	330	9	
2"	50,8 x 1,65	80	70	90	400	12	
2 1/2"	63,5 x 1,65	100	80	90	415	15	
3"	76,2 x 1,65	125	90	90	445	18	
4"	101,6 x 2,11	150	100	90	465	23	

Aseptic Double Angle Valve E31

pneumatic – air to open/spring to close NC



DN	Pipe	A	B	D	L	Stroke	kg
25	29 x 1,5	50	50	90	310	7	
40	41 x 1,5	60	60	90	325	9	
50	53 x 1,5	80	70	110	384	12	
65	70 x 2	100	80	133	445	16	
80	85 x 2	125	90	160	509	18	
100	104 x 2	150	100	168	527	23	
1"	25,4 x 1,65	50	50	90	310	7	
1 1/2"	38,1 x 1,65	60	60	90	325	9	
2"	50,8 x 1,65	80	70	110	384	12	
2 1/2"	63,5 x 1,65	100	80	133	445	16	
3"	76,2 x 1,65	125	90	160	509	18	
4"	101,6 x 2,11	150	100	168	527	23	



Aseptic Valves



Aseptic Double Angle Valve E4

with crank handle

PTFE-Bellows E4.12			Metal Bellows E4.13	
DN	Reference Number	Price	Reference Number	Price
25	40140.2000.05.0004.32	562 €	40140.3000.01.0004.32	877 €
40	40140.2000.05.0006.32	670 €	40140.3000.01.0006.32	1069 €
50	40140.2000.05.0007.32	736 €	40140.3000.01.0007.32	1125 €
65	40140.2000.05.0008.32	997 €	40140.3000.01.0008.32	1457 €
80	40140.2000.05.0009.32	1457 €	40140.3000.01.0009.32	2019 €
100	40140.2000.05.0010.32	1687 €	40140.3000.01.0010.32	2858 €
1"	40140.2000.05.0024.32	562 €	40140.3000.01.0024.32	877 €
1 1/2"	40140.2000.05.0026.32	570 €	40140.3000.01.0026.32	1069 €
2"	40140.2000.05.0027.32	736 €	40140.3000.01.0027.32	1125 €
2 1/2"	40140.2000.05.0028.32	997 €	40140.3000.01.0028.32	1457 €
3"	40140.2000.05.0029.32	1457 €	40140.3000.01.0029.32	2019 €
4"	40140.2000.05.0030.32	1687 €	40140.3000.01.0030.32	2858 €

Aseptic Double Angle Valve E31

pneumatic – air to open/spring to close NC

PTFE-Bellows E31.12			Metal Bellows E31.13	
DN	Reference Number	Price	Reference Number	Price
25	40110.2000.05.0004.32	762 €	40110.3000.01.0004.32	1107 €
40	40110.2000.05.0006.32	910 €	40110.3000.01.0006.32	1274 €
50	40110.2000.05.0007.32	971 €	40110.3000.01.0007.32	1376 €
65	40110.2000.05.0008.32	1406 €	40110.3000.01.0008.32	1866 €
80	40110.2000.05.0009.32	1917 €	40110.3000.01.0009.32	2454 €
100	40110.2000.05.0010.32	2147 €	40110.3000.01.0010.32	3318 €
1"	40110.2000.05.0024.32	762 €	40110.3000.01.0024.32	1107 €
1 1/2"	40110.2000.05.0026.32	910 €	40110.3000.01.0026.32	1274 €
2"	40110.2000.05.0027.32	971 €	40110.3000.01.0027.32	1376 €
2 1/2"	40110.2000.05.0028.32	1406 €	40110.3000.01.0028.32	1866 €
3"	40110.2000.05.0029.32	1917 €	40110.3000.01.0029.32	2454 €
4"	40110.2000.05.0030.32	2147 €	40110.3000.01.0030.32	3318 €

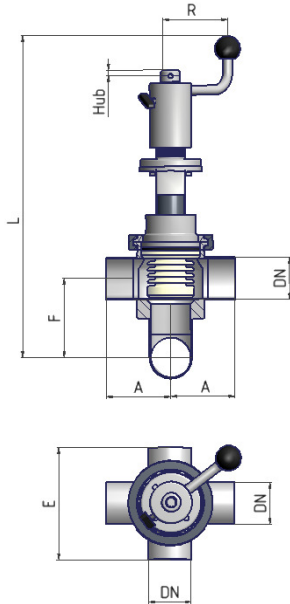


Aseptic Valves



Aseptic Cross Valve E4

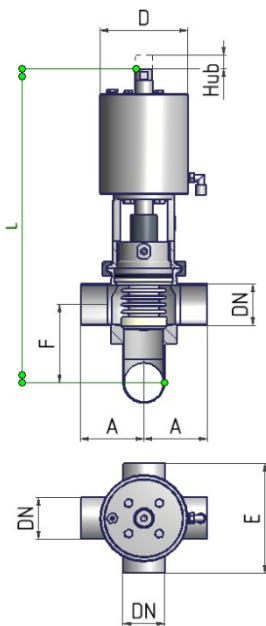
with crank handle



DN	Pipe	A	E	F	R	L	Stroke
25	29 x 1,5	50	100	66	73	310	7
40	41 x 1,5	60	120	82	73	330	9
50	53 x 1,5	80	140	99	90	400	12
65	70 x 2	100	160	119	90	415	16
80	85 x 2	125	180	136	90	445	18
100	104 x 2	150	200	156	90	465	23
1"	25,4 x 1,65	50	100	66	73	310	7
1 1/2"	38,1 x 1,65	60	120	82	73	330	9
2"	50,8 x 1,65	80	140	99	90	400	12
2 1/2"	63,5 x 1,65	100	160	119	90	415	15
3"	76,2 x 1,65	125	180	136	90	445	18
4"	101,6 x 2,11	150	200	156	90	465	23

Aseptic Cross Valve E31

pneumatic – air to open/spring to close NC



DN	Pipe	A	E	F	D	L	Stroke
25	29 x 1,5	50	100	66	90	310	7
40	41 x 1,5	60	120	82	90	325	9
50	53 x 1,5	80	140	99	110	384	12
65	70 x 2	100	160	119	133	445	16
80	85 x 2	125	180	136	160	509	18
100	104 x 2	150	200	156	168	527	23
1"	25,4 x 1,65	50	100	66	90	310	7
1 1/2"	38,1 x 1,65	60	120	82	90	325	9
2"	50,8 x 1,65	80	140	99	110	384	12
2 1/2"	63,5 x 1,65	100	160	119	133	445	15
3"	76,2 x 1,65	125	180	136	160	509	18
4"	101,6 x 2,11	150	200	156	168	527	23



Aseptic Valves



Aseptic Cross Valve E4

with crank handle

PTFE-Bellows E4.32			Metal Bellows E4.33	
DN	Reference Number	Price	Reference Number	Price
25	40340.2000.05.0004.32	619 €	40340.3000.01.0004.32	931 €
40	40340.2000.05.0006.32	731 €	40340.3000.01.0006.32	1145 €
50	40340.2000.05.0007.32	808 €	40340.3000.01.0007.32	1150 €
65	40340.2000.05.0008.32	1115 €	40340.3000.01.0008.32	1533 €
80	40340.2000.05.0009.32	1611 €	40340.3000.01.0009.32	2095 €
100	40340.2000.05.0010.32	1841 €	40340.3000.01.0010.32	2960 €
1"	40340.2000.05.0024.32	619 €	40340.3000.01.0024.32	931 €
1 1/2"	40340.2000.05.0026.32	731 €	40340.3000.01.0026.32	1145 €
2"	40340.2000.05.0027.32	808 €	40340.3000.01.0027.32	1150 €
2 1/2"	40340.2000.05.0028.32	1115 €	40340.3000.01.0028.32	1533 €
3"	40340.2000.05.0029.32	1611 €	40340.3000.01.0029.32	2095 €
4"	40340.2000.05.0030.32	1841 €	40340.3000.01.0030.32	2960 €

Aseptic Cross Valve E31

pneumatic – air to open/spring to close NC

PTFE-Bellows E31.32			Metal Bellows E31.33	
DN	Reference Number	Preis	Reference Number	Price
25	40310.2000.05.0004.32	844 €	40310.3000.01.0004.32	1136 €
40	40310.2000.05.0006.32	966 €	40310.3000.01.0006.32	1350 €
50	40310.2000.05.0007.32	1043 €	40310.3000.01.0007.32	1383 €
65	40310.2000.05.0008.32	1513 €	40310.3000.01.0008.32	1958 €
80	40310.2000.05.0009.32	2066 €	40310.3000.01.0009.32	2582 €
100	40310.2000.05.0010.32	2311 €	40310.3000.01.0010.32	3381 €
1"	40310.2000.05.0024.32	844 €	40310.3000.01.0024.32	1136 €
1 1/2"	40310.2000.05.0026.32	966 €	40310.3000.01.0026.32	1350 €
2"	40310.2000.05.0027.32	1043 €	40310.3000.01.0027.32	1383 €
2 1/2"	40310.2000.05.0028.32	1513 €	40310.3000.01.0028.32	1958 €
3"	40310.2000.05.0029.32	2066 €	40310.3000.01.0029.32	2582 €
4"	40310.2000.05.0030.32	2311 €	40310.3000.01.0030.32	3381 €

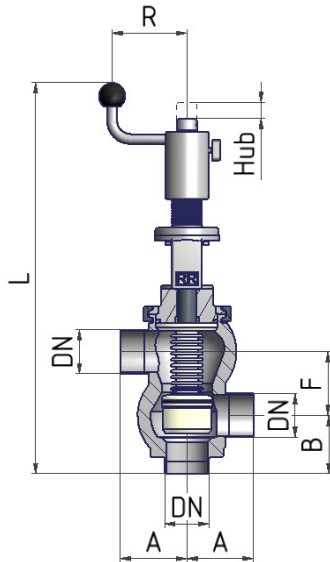


Aseptic Valves



Aseptic Change Over Valve U4

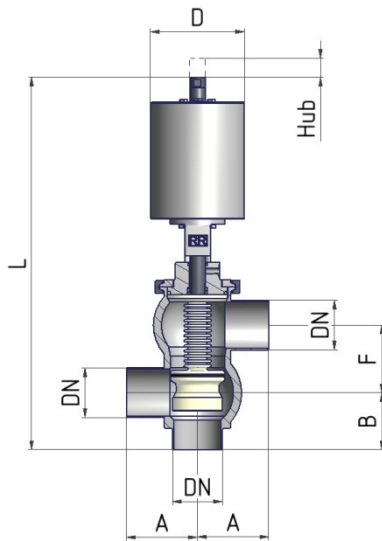
with crank handle – 3/2-ways – one-piece valve body



DN	Pipe	A	B	F	R	L	Stroke
25	29 x 1,5	50	50	55	73	360	18
40	41 x 1,5	60	60	65	73	385	18
50	53 x 1,5	80	70	77	90	475	22
65	70 x 2	100	80	95	90	510	25
80	85 x 2	125	90	110	90	555	33
100	104 x 2	150	100	129	90	595	35
1"	25,4 x 1,65	50	50	55	73	360	18
1 1/2"	38,1 x 1,65	60	60	65	73	385	18
2"	50,8 x 1,65	80	70	77	90	475	22
2 1/2"	63,5 x 1,65	100	80	95	90	510	25
3"	76,2 x 1,65	125	90	110	90	555	33
4"	101,6 x 2,11	150	100	129	90	595	35

Aseptic Change Over Valve U31

pneumatic – air to open/spring to close NC – 3/2-ways – one-part valve body



DN	Pipe	A	B	F	D	L	Stroke
25	29 x 1,5	50	50	55	90	361	18
40	41 x 1,5	60	60	65	90	387	18
50	53 x 1,5	80	70	77	110	459	22
65	70 x 2	100	80	95	133	539	25
80	85 x 2	125	90	110	172	630	33
100	104 x 2	150	100	129	172	665	35
1"	25,4 x 1,65	50	50	55	90	361	18
1 1/2"	38,1 x 1,65	60	60	65	90	387	18
2"	50,8 x 1,65	80	70	77	110	459	22
2 1/2"	63,5 x 1,65	100	80	95	133	539	25
3"	76,2 x 1,65	125	90	110	172	630	33
4"	101,6 x 2,11	150	100	129	172	665	35



Aseptic Valves



Aseptic Change Over Valve U4

with crank handle – 3/2-ways – one-part valve body

PTFE-Bellows U4.02			Metal Bellows U4.03	
DN	Reference Number	Price	Reference Number	Price
25	40440.2000.05.0004.32	1181 €	40440.3000.01.0004.32	1245 €
40	40440.2000.05.0006.32	1380 €	40440.3000.01.0006.32	1452 €
50	40440.2000.05.0007.32	1559 €	40440.3000.01.0007.32	1631 €
65	40440.2000.05.0008.32	2311 €	40440.3000.01.0008.32	2364 €
80	40440.2000.05.0009.32	3160 €	40440.3000.01.0009.32	3210 €
100	40440.2000.05.0010.32	3886 €	40440.3000.01.0010.32	3937 €
1"	40440.2000.05.0024.32	1181 €	40440.3000.01.0024.32	1245 €
1 1/2"	40440.2000.05.0026.32	1380 €	40440.3000.01.0026.32	1452 €
2"	40440.2000.05.0027.32	1559 €	40440.3000.01.0027.32	1631 €
2 1/2"	40440.2000.05.0028.32	2311 €	40440.3000.01.0028.32	2364 €
3"	40440.2000.05.0029.32	3160 €	40440.3000.01.0029.32	3210 €
4"	40440.2000.05.0030.32	3886 €	40440.3000.01.0030.32	3937 €

Aseptic Change Over Valve U31

pneumatic – air to open/spring to close NC – 3/2-ways – one-part valve body

PTFE-Bellows U31.02			Metal Bellows U31.03	
DN	Reference Number	Price	Reference Number	Price
25	40410.2000.05.0004.32	1432 €	40410.3000.01.0004.32	1496 €
40	40410.2000.05.0006.32	1636 €	40410.3000.01.0006.32	1708 €
50	40410.2000.05.0007.32	1830 €	40410.3000.01.0007.32	1905 €
65	40410.2000.05.0008.32	2608 €	40410.3000.01.0008.32	2661 €
80	40410.2000.05.0009.32	3579 €	40410.3000.01.0009.32	3629 €
100	40410.2000.05.0010.32	4346 €	40410.3000.01.0010.32	4397 €
1"	40410.2000.05.0024.32	1432 €	40410.3000.01.0024.32	1496 €
1 1/2"	40410.2000.05.0026.32	1636 €	40410.3000.01.0026.32	1708 €
2"	40410.2000.05.0027.32	1830 €	40410.3000.01.0027.32	1905 €
2 1/2"	40410.2000.05.0028.32	2608 €	40410.3000.01.0028.32	2661 €
3"	40410.2000.05.0029.32	3579 €	40410.3000.01.0029.32	3629 €
4"	40410.2000.05.0030.32	4346 €	40410.3000.01.0030.32	4397 €

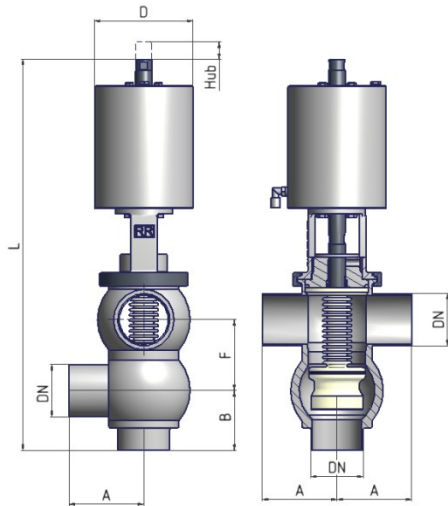


Aseptic Valves



Aseptic Change Over Valve U31

pneumatic – air to open/spring to close NC – 4/2-ways – one-part valve body



DN	Pipe	A	B	F	D	L	Stroke
25	29 x 1,5	50	50	55	90	361	18
40	41 x 1,5	60	60	65	90	387	18
50	53 x 1,5	80	70	77	110	459	22
65	70 x 2	100	80	95	133	539	25
80	85 x 2	125	90	110	172	630	33
100	104 x 2	150	100	129	172	665	35
1"	25,4 x 1,65	50	50	55	90	361	18
1 1/2"	38,1 x 1,65	60	60	65	90	387	18
2"	50,8 x 1,65	80	70	77	110	459	22
2 1/2"	63,5 x 1,65	100	80	95	133	539	25
3"	76,2 x 1,65	125	90	110	172	630	33
4"	101,6 x 2,11	150	100	129	172	665	35



Aseptic Valves



Aseptic Change Over Valve U31

pneumatic – air to open/spring to close NC – **4/2-ways – one-part valve body**

PTFE-Bellows U31.02			Metal Bellows U31.03	
DN	Reference Number	Price	Reference Number	Price
25	40410.2040.05.0004.32	1478 €	40410.3040.01.0004.32	1542 €
40	40410.2040.05.0006.32	1713 €	40410.3040.01.0006.32	1785 €
50	40410.2040.05.0007.32	1911 €	40410.3040.01.0007.32	1986 €
65	40410.2040.05.0008.32	2685 €	40410.3040.01.0008.32	2738 €
80	40410.2040.05.0009.32	3655 €	40410.3040.01.0009.32	3705 €
100	40410.2040.05.0010.32	4448 €	40410.3040.01.0010.32	4499 €
1"	40410.2040.05.0024.32	1478 €	40410.3040.01.0024.32	1542 €
1 1/2"	40410.2040.05.0026.32	1713 €	40410.3040.01.0026.32	1785 €
2"	40410.2040.05.0027.32	1911 €	40410.3040.01.0027.32	1986 €
2 1/2"	40410.2040.05.0028.32	2685 €	40410.3040.01.0028.32	2738 €
3"	40410.2040.05.0029.32	3655 €	40410.3040.01.0029.32	3705 €
4"	40410.2040.05.0030.32	4448 €	40410.3040.01.0030.32	4499 €

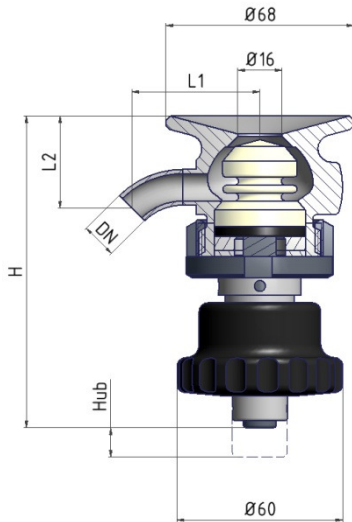


Aseptic Valves



Aseptic Bottom Seat Small Valve B4

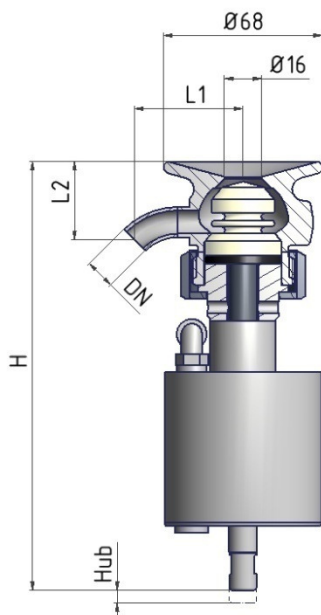
with hand wheel



DN	Pipe	H	L1	L2	Stroke
10	13 x 1,5	115	46		5
15	19 x 1,5	115	60		5
20	23 x 1,5	130	61		5

Aseptik-Bottom Seat Small Valve B31

pneumatic – air to open/spring to close NC



DN	Pipe	H	L1	L2	Stroke
10	13 x 1,5	189	46		5
15	19 x 1,5	189	60		5
20	23 x 1,5	189	61		5



Aseptic Valves



Aseptik-Bottom Seat Small Valve B4

with hand wheel

B4.02.200 – 1 outlet			B4.12.200 – 2 outlets	
DN	Reference Number	Price	Reference Number	Price
10	40704.2100.05.0001.32	767 €	40704.2100.05.0101.32	862 €
15	40704.2100.05.0002.32	767 €	40704.2100.05.0202.32	862 €
20	40704.2100.05.0003.32	767 €	40704.2100.05.0303.32	862 €

Sealing Kit				
10-20	5005113	110 €		

Aseptic Bottom Seat Small Valve B31

pneumatic – air to open/spring to close NC

B31.02.200 – 1 outlet			B31.12.200 – 2 outlets	
DN	Reference Number	Price	Reference Number	Price
10	40701.2100.05.0001.32	977 €	40701.2100.05.0101.32	1072 €
15	40701.2100.05.0002.32	977 €	40701.2100.05.0202.32	1072 €
20	40701.2100.05.0003.32	977 €	40701.2100.05.0303.32	1072 €

Sealing Kit				
10-20	5005113	110 €		

Wearing Parts Set for Pneumatic Actuator				
10-20	5002400	18 €		

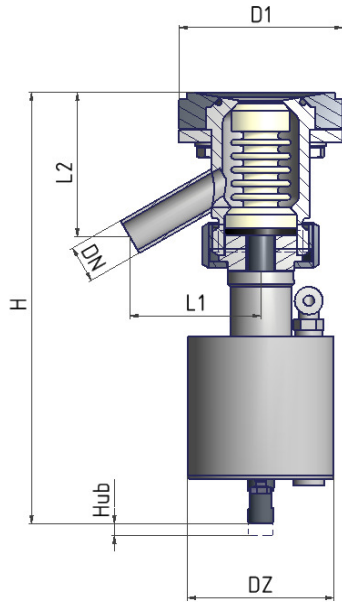


Aseptic Valves



Aseptic Bottom Seat Valve 30°-outlet B31

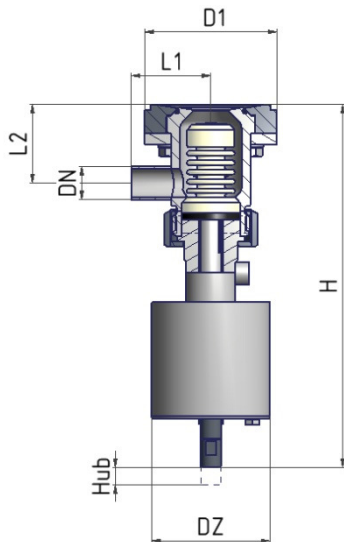
pneumatic – air to open/spring to close NC



DN	Pipe	D1	DZ	H	L1	L2	Stroke
10	13 x 1,5	75	64	205	45	61	10
15	19 x 1,5	75	64	205	46	58	10
20	23 x 1,5	75	64	205	48	57	10

Aseptic Bottom Seat Valve 90°-outlet B31

pneumatic – air to open/spring to close NC



DN	Pipe	D1	DZ	H	L1	L2	Stroke
10	13 x 1,5	75	64	205	45	48,5	10
15	19 x 1,5	75	64	205	45	45,5	10
20	23 x 1,5	75	64	205	45	43,5	10



Aseptic Valves



Aseptic Bottom Seat Valve 30°-outlet B31

pneumatic – air to open/spring to close NC

PTFE-Bellows B31.02.001

DN	Reference Number	Price
10	40701.2000.05.0001.32	977 €
15	40701.2000.05.0002.32	977 €
20	40701.2000.05.0003.32	977 €

Prices are meant without weld-in flange – on request with rinsing inlet against surcharge.

Aseptic Bottom Seat Valve 90°-outlet B31

pneumatic – air to open/spring to close NC

PTFE-Bellows B31.02.150

DN	Reference Number	Price
10	40701.2010.05.0001.32	977 €
15	40701.2010.05.0002.32	977 €
20	40701.2010.05.0003.32	977 €

Prices are meant without weld-in flange – on request with rinsing inlet against surcharge.

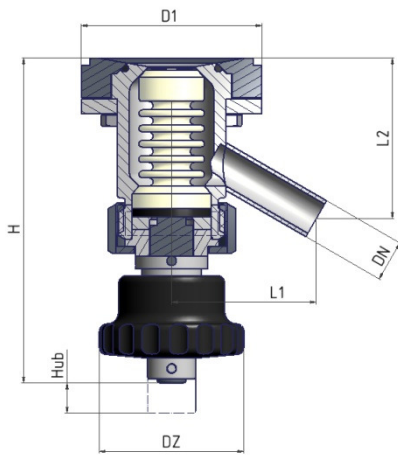


Aseptic Valves



Aseptic Bottom Seat Valve 30°-outlet B4

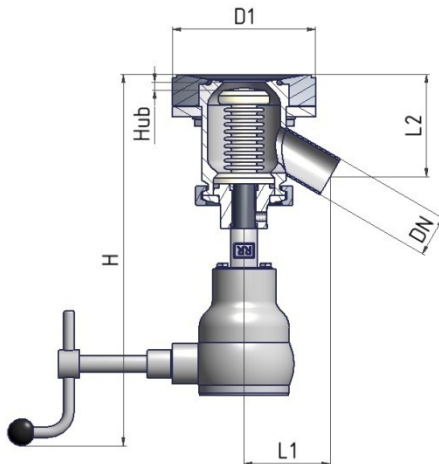
with hand wheel



DN	Pipe	D1	DZ	H	L1	L2	Stroke
10	13 x 1,5	75	64	140	45	61	10
15	19 x 1,5	75	64	140	46	58	10
20	23 x 1,5	75	64	140	48	57	10

Aseptic Bottom Seat Valve 30°-outlet B5

with bevel gear



DN	Pipe	D1	Stroke	H	L1	L2
25	29 x 1,5	108	14	335	60	68,5
40	41 x 1,5	133	14	345	70	73,5
50	53 x 1,5	146	20	395	80	94
65	70 x 2	173	22	420	95	112,5
80	85 x 2	186	30	455	105	124
100	104 x 2	217	32	500	120	155
1"	25,4 x 1,65	108	14	335	60	68,5
1 1/2"	38,1 x 1,65	133	14	345	70	73,5
2"	50,8 x 1,65	146	20	395	80	94
2 1/2"	63,5 x 1,65	173	22	420	95	112,5
3"	76,2 x 1,65	186	30	455	105	124
4"	101,6 x 2,11	217	32	500	120	155



Aseptic Valves

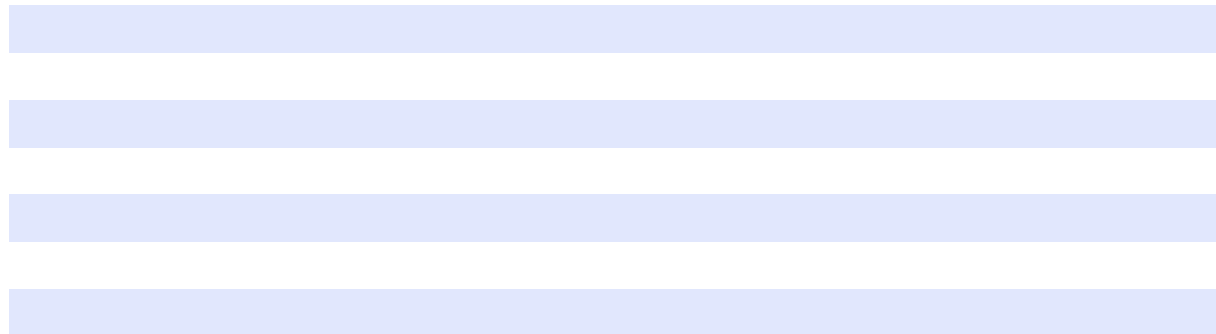


Aseptic Bottom Seat Valve 30°-outlet B4

with hand wheel

PTFE-Bellows B4.02.001

DN	Reference Number	Price
10	40704.2000.05.0001.32	757 €
15	40704.2000.05.0002.32	757 €
20	40704.2000.05.0003.32	757 €



Prices are meant without weld-in flange – on request with rinsing inlet against surcharge.

Aseptic Bottom Seat Valve 30°-outlet B5

with bevel gear

PTFE-Bellows B5.02.001

Metal Bellows B5.03.001

DN	Reference Number	Price	Reference Number	Price
25	40750.2000.05.0004.32	1539 €	40750.3000.01.0004.32	1584 €
40	40750.2000.05.0006.32	1749 €	40750.3000.01.0006.32	1820 €
50	40750.2000.05.0007.32	1871 €	40750.3000.01.0007.32	1942 €
65	40750.2000.05.0008.32	2347 €	40750.3000.01.0008.32	2373 €
80	40750.2000.05.0009.32	3078 €	40750.3000.01.0009.32	3150 €
100	40750.2000.05.0010.32	4448 €	40750.3000.01.0010.32	4555 €
1"	40750.2000.05.0024.32	1539 €	40750.3000.01.0024.32	1584 €
1 1/2"	40750.2000.05.0026.32	1749 €	40750.3000.01.0026.32	1820 €
2"	40750.2000.05.0027.32	1871 €	40750.3000.01.0027.32	1942 €
2 1/2"	40750.2000.05.0028.32	2347 €	40750.3000.01.0028.32	2373 €
3"	40750.2000.05.0029.32	3078 €	40750.3000.01.0029.32	3150 €
4"	40750.2000.05.0030.32	4448 €	40750.3000.01.0030.32	4555 €

Prices are meant without weld-in flange – on request with rinsing inlet against surcharge.

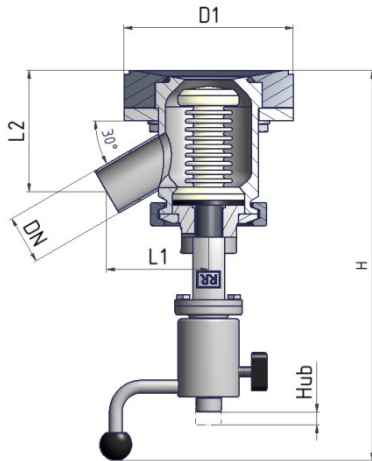


Aseptic Valves



Aseptic Bottom Seat Valve 30°-outlet B4

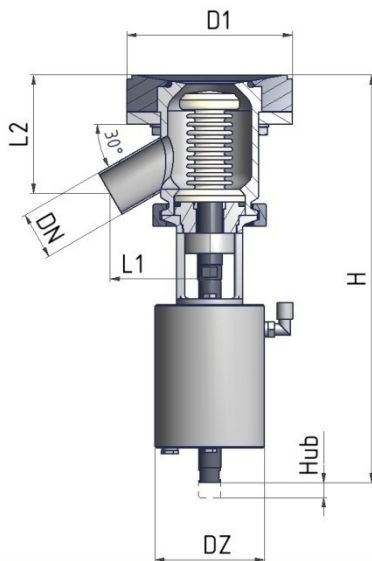
with crank handle



DN	Pipe	D1	R	H	L1	L2	Stroke
25	29 x 1,5	108	73	320	65	82,5	14
40	41 x 1,5	133	73	330	80	94	14
50	53 x 1,5	146	90	420	85	110,5	20
65	70 x 2	173	90	450	100	132,5	22
80	85 x 2	186	90	475	115	146	30
100	104 x 2	217	90	520	150	188	32
1"	25,4 x 1,65	108	73	320	65	82,5	14
1 1/2"	38,1 x 1,65	133	73	330	80	94	14
2"	50,8 x 1,65	146	90	420	85	110,5	20
2 1/2"	63,5 x 1,65	173	90	450	100	132,5	22
3"	76,2 x 1,65	186	90	475	115	146	30
4"	101,6 x 2,11	217	90	520	150	188	32

Aseptic Bottom Seat Valve 30°-outlet B31

pneumatic – air to open/spring to close NC



DN	Pipe	D1	DZ	H	L1	L2	Stroke
25	29 x 1,5	108	90	315	65	82,5	14
40	41 x 1,5	133	90	330	80	94	14
50	53 x 1,5	146	110	399	85	110,5	20
65	70 x 2	173	133	466	100	132,5	22
80	85 x 2	186	160	529	115	146	30
100	104 x 2	217	168	572	150	188	32
1"	25,4 x 1,65	108	90	315	65	82,5	14
1 1/2"	38,1 x 1,65	133	90	330	80	94	14
2"	50,8 x 1,65	146	110	399	85	110,5	20
2 1/2"	63,5 x 1,65	173	133	466	100	132,5	22
3"	76,2 x 1,65	186	160	529	115	146	30
4"	101,6 x 2,11	217	168	572	150	188	32



Aseptic Valves



Aseptic Bottom Seat Valve 30°-outlet B4

with crank handle

PTFE-Bellows B4.02			Metal Bellows B4.03	
DN	Reference Number	Price	Reference Number	Price
25	40740.2000.05.0004.32	971 €	40740.3000.01.0004.32	1015 €
40	40740.2000.05.0006.32	1186 €	40740.3000.01.0006.32	1257 €
50	40740.2000.05.0007.32	1329 €	40740.3000.01.0007.32	1355 €
65	40740.2000.05.0008.32	1764 €	40740.3000.01.0008.32	1791 €
80	40740.2000.05.0009.32	2454 €	40740.3000.01.0009.32	2526 €
100	40740.2000.05.0010.32	3732 €	40740.3000.01.0010.32	3839 €
1"	40740.2000.05.0024.32	971 €	40740.3000.01.0024.32	1015 €
1 1/2"	40740.2000.05.0026.32	1186 €	40740.3000.01.0026.32	1257 €
2"	40740.2000.05.0027.32	1329 €	40740.3000.01.0027.32	1355 €
2 1/2"	40740.2000.05.0028.32	1764 €	40740.3000.01.0028.32	1791 €
3"	40740.2000.05.0029.32	2454 €	40740.3000.01.0029.32	2526 €
4"	40740.2000.05.0030.32	3732 €	40740.3000.01.0030.32	3839 €

Prices are meant without weld-in flange – on request with rinsing inlet against surcharge.

Aseptik-Bottom Seat Valve 30°-outlet B31

pneumatic – air to open/spring to close NC

PTFE-Bellows B31.02			Metal Bellows B31.03	
DN	Reference Number	Price	Reference Number	Price
25	40710.2000.05.0004.32	1217 €	40710.3000.01.0004.32	1282 €
40	40710.2000.05.0006.32	1432 €	40710.3000.01.0006.32	1503 €
50	40710.2000.05.0007.32	1544 €	40710.3000.01.0007.32	1615 €
65	40710.2000.05.0008.32	2158 €	40710.3000.01.0008.32	2185 €
80	40710.2000.05.0009.32	2889 €	40710.3000.01.0009.32	2961 €
100	40710.2000.05.0010.32	4193 €	40710.3000.01.0010.32	4300 €
1"	40710.2000.05.0024.32	1217 €	40710.3000.01.0024.32	1282 €
1 1/2"	40710.2000.05.0026.32	1432 €	40710.3000.01.0026.32	1503 €
2"	40710.2000.05.0027.32	1544 €	40710.3000.01.0027.32	1615 €
2 1/2"	40710.2000.05.0028.32	2158 €	40710.3000.01.0028.32	2185 €
3"	40710.2000.05.0029.32	2889 €	40710.3000.01.0029.32	2961 €
4"	40710.2000.05.0030.32	4193 €	40710.3000.01.0030.32	4300 €

Prices are meant without weld-in flange – on request with rinsing inlet against surcharge.

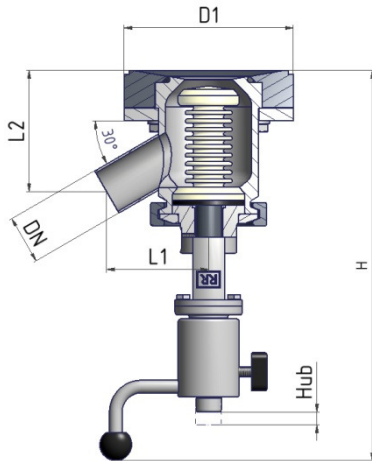


Aseptic Valves



Aseptik-Bottom Seat Valve 30°-outlet ISO B4

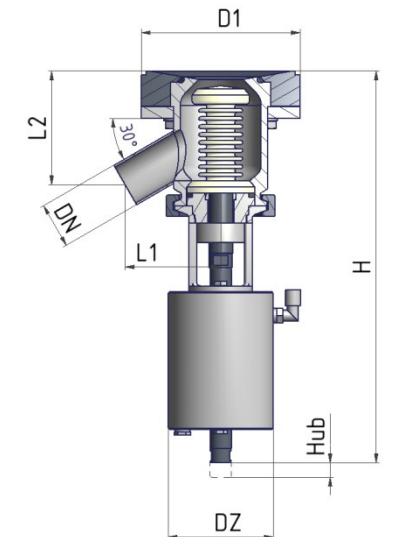
with crank handle



DN	Pipe	D1	R	H	L1	L2	Stroke
20	26,9 x 1,6	108	73	320	65	86	14
25	33,7 x 2	108	73	320	65	83	14
40	48,3 x 2	146	90	420	85	113	20
50	60,3 x 2	146	90	420	85	106	20
65	76,2 x 2,3	173	90	450	100	129,5	22
80	88,9 x 2,3	186	90	475	115	144	30
100	114,3 x 2,6	217	90	520	150	183	32

Aseptik-Bottom Seat Valve 30°-outlet ISO B31

pneumatisch – air to open/spring to close NC



DN	Pipe	D1	DZ	H	L1	L2	Stroke
20	26,9 x 1,6	108	90	310	65	86	14
25	33,7 x 2	108	90	310	65	83	14
40	48,3 x 2	146	110	380	85	113	20
50	60,3 x 2	146	110	380	85	106	20
65	76,2 x 2,3	173	133	446	100	129,5	22
80	88,9 x 2,3	186	160	480	115	144	30
100	114,3 x 2,6	217	168	570	150	183	32



Aseptic Valves



Aseptik-Bottom Seat Valve 30°-outlet ISO B4

with crank handle

PTFE-Bellows B4.02			Metal Bellows B4.03	
DN ISO	Reference Number	Price	Reference Number	Price
20	40740.2000.05.0043.32	998 €	40740.3000.01.0043.32	1038 €
25	40740.2000.05.0044.32	1136 €	40740.3000.01.0044.32	1207 €
40	40740.2000.05.0046.32	1318 €	40740.3000.01.0046.32	1389 €
50	40740.2000.05.0047.32	1636 €	40740.3000.01.0047.32	1662 €
65	40740.2000.05.0048.32	2129 €	40740.3000.01.0048.32	2156 €
80	40740.2000.05.0049.32	3035 €	40740.3000.01.0049.32	3107 €
100	40740.2000.05.0050.32	4571€	40740.3000.01.0050.32	4678 €

Prices are meant without weld-in flange – on request with rinsing inlet against surcharge.

Aseptik-Bottom Seat Valve 30°-outlet ISO B31

pneumatisch – air to open/spring to close NC

PTFE-Bellows B31.02			Metal Bellows B31.03	
DN ISO	Reference Number	Price	Reference Number	Price
20	40710.2000.05.0043.32	1167 €	40710.3000.01.0043.32	1207 €
25	40710.2000.05.0044.32	1305 €	40710.3000.01.0044.32	1376 €
40	40710.2000.05.0046.32	1544 €	40710.3000.01.0046.32	1615 €
50	40710.2000.05.0047.32	1851 €	40710.3000.01.0047.32	1922 €
65	40710.2000.05.0048.32	2523 €	40710.3000.01.0048.32	2550 €
80	40710.2000.05.0049.32	3541 €	40710.3000.01.0049.32	3613 €
100	40710.2000.05.0050.32	5031 €	40710.3000.01.0050.32	5138 €

Prices are meant without weld-in flange – on request with rinsing inlet against surcharge.

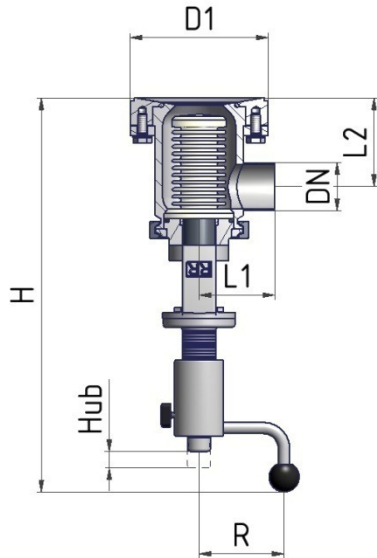


Aseptic Valves



Aseptic Bottom Seat Valve 90°-outlet B4

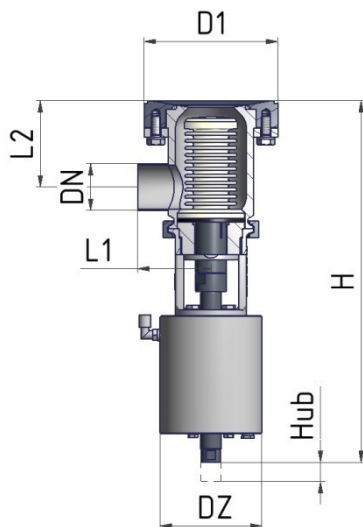
with crank handle



DN	Pipe	D1	R	H	L1	L2	Stroke
25	29 x 1,5	108	73	320	60	68,5	14
40	41 x 1,5	133	73	330	70	73,5	14
50	53 x 1,5	146	90	420	80	94	20
65	70 x 2	173	90	450	95	112,5	25
80	85 x 2	186	90	475	105	124	33
100	104 x 2	217	90	520	120	155	35
1"	25,4 x 1,65	108	73	320	60	68,5	14
1 1/2"	38,1 x 1,65	133	73	330	70	73,5	14
2"	50,8 x 1,65	146	90	420	80	94	20
2 1/2"	63,5 x 1,65	173	90	450	95	112,5	25
3"	76,2 x 1,65	186	90	475	105	124	33
4"	101,6 x 2,11	217	90	520	120	155	35

Aseptic Bottom Seat Valve 90°-outlet B31

pneumatic – air to open/spring to close NC



DN	Pipe	D1	DZ	H	L1	L2	Stroke
25	29 x 1,5	108	90	315	60	68,5	14
40	41 x 1,5	133	90	330	70	73,5	14
50	53 x 1,5	146	110	399	80	94	20
65	70 x 2	173	133	466	95	112,5	22
80	85 x 2	186	160	529	105	124	30
100	104 x 2	217	168	572	120	155	32
1"	25,4 x 1,65	108	90	315	60	68,5	14
1 1/2"	38,1 x 1,65	133	90	330	70	73,5	14
2"	50,8 x 1,65	146	110	399	80	94	20
2 1/2"	63,5 x 1,65	173	133	466	95	112,5	22
3"	76,2 x 1,65	186	160	529	105	124	30
4"	101,6 x 2,11	217	168	572	120	155	32



Aseptic Valves



Aseptic Bottom Seat Valve 90°-outlet B4

with crank handle

PTFE-Bellows B4.02.150			Metal Bellows B4.03.150	
DN	Reference Number	Price	Reference Number	Price
25	40740.2010.05.0004.32	971 €	40740.3010.01.0004.32	1015 €
40	40740.2010.05.0006.32	1186 €	40740.3010.01.0006.32	1257 €
50	40740.2010.05.0007.32	1329 €	40740.3010.01.0007.32	1355 €
65	40740.2010.05.0008.32	1764 €	40740.3010.01.0008.32	1791 €
80	40740.2010.05.0009.32	2454 €	40740.3010.01.0009.32	2526 €
100	40740.2010.05.0010.32	3732 €	40740.3010.01.0010.32	3839 €
1"	40740.2010.05.0024.32	971 €	40740.3010.01.0024.32	1015 €
1 1/2"	40740.2010.05.0026.32	1186 €	40740.3010.01.0026.32	1257 €
2"	40740.2010.05.0027.32	1329 €	40740.3010.01.0027.32	1355 €
2 1/2"	40740.2010.05.0028.32	1764 €	40740.3010.01.0028.32	1791 €
3"	40740.2010.05.0029.32	2454 €	40740.3010.01.0029.32	2526 €
4"	40740.2010.05.0030.32	3732 €	40740.3010.01.0030.32	3839 €

Prices are meant without weld-in flange – on request with rinsing inlet against surcharge.

Aseptic Bottom Seat Valve 90°-outlet B31

pneumatic – air to open/spring to close NC

PTFE-Bellows B31.02.150			Metal Bellows B31.03.150	
DN	Reference Number	Price	Reference Number	Price
25	40710.2010.05.0004.32	1217 €	40710.3010.01.0004.32	1282 €
40	40710.2010.05.0006.32	1432 €	40710.3010.01.0006.32	1503 €
50	40710.2010.05.0007.32	1544 €	40710.3010.01.0007.32	1615 €
65	40710.2010.05.0008.32	2158 €	40710.3010.01.0008.32	2185 €
80	40710.2010.05.0009.32	2889 €	40710.3010.01.0009.32	2961 €
100	40710.2010.05.0010.32	4193 €	40710.3010.01.0010.32	4300 €
1"	40710.2010.05.0024.32	1217 €	40710.3010.01.0024.32	1282 €
1 1/2"	40710.2010.05.0026.32	1432 €	40710.3010.01.0026.32	1503 €
2"	40710.2010.05.0027.32	1544 €	40710.3010.01.0027.32	1615 €
2 1/2"	40710.2010.05.0028.32	2158 €	40710.3010.01.0028.32	2185 €
3"	40710.2010.05.0029.32	2889 €	40710.3010.01.0029.32	2961 €
4"	40710.2010.05.0030.32	4193 €	40710.3010.01.0030.32	4300 €

Prices are meant without weld-in flange – on request with rinsing inlet against surcharge.

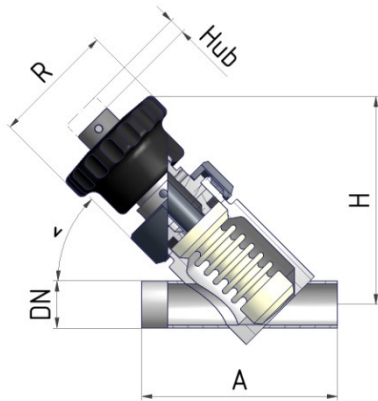


Aseptic Valves



Aseptic Inclined-Seat Valve S4

with hand wheel



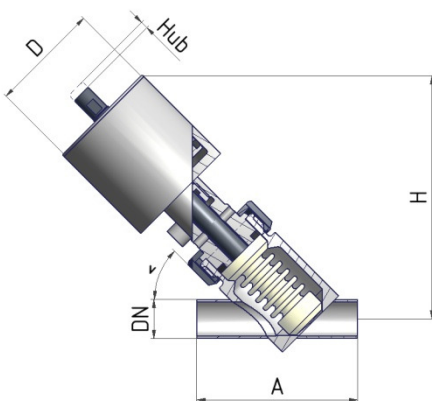
DN	Pipe	A	<	R	H	Stroke
----	------	---	---	---	---	--------

10	see BioCheck Inclined-seat valve chapter 6					
15	19 x 1,5	117	45°	66	103	10
20	23 x 1,5	95	45°	66	103	10

DN 15 = exzentrically reduced DN 20/15

Aseptic Inclined-Seat Valve S31

pneumatic – air to open/spring to close NC



DN	Pipe	A	<	D	H	Stroke
----	------	---	---	---	---	--------

10	see BioCheck Inclined-seat valve chapter 6					
15	19 x 1,5	117	45°	64	145	10
20	23 x 1,5	95	45°	64	145	10

DN 15 = exzentrically reduced DN 20/15



Aseptic Valves



Aseptic Inclined-Seat Valve S4

with hand wheel

PTFE-Bellows S4.02

DN	Reference Number	Price
10	see BioCheck Inclined-seat valve chapter 6	
15	40504.2000.05.0002.32	782 €
20	40504.2000.05.0003.32	782 €

Aseptic Inclined-Seat Valve S31

pneumatic – air to open/spring to close NC

PTFE-BellowsS31.02

DN	Reference Number	Price
10	see BioCheck Inclined-seat valve chapter 6	
15	40501.2000.05.0002.32	966 €
20	40501.2000.05.0003.32	966 €

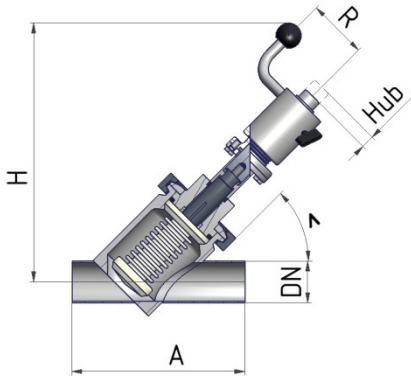


Aseptic Valves



Aseptic Inclined-Seat Valve S4

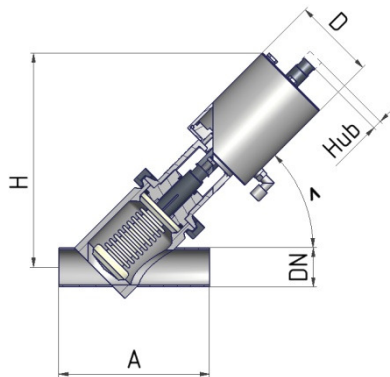
with crank handle



DN	Pipe	A	<	R	H	Stroke
25	29 x 1,5	140	45°	73	275	14
40	41 x 1,5	170	45°	73	280	14
50	53 x 1,5	205	45°	90	355	20
65	70 x 2	250	40°	90	350	22
80	85 x 2	300	40°	90	365	30
100	104 x 2	350	40°	90	390	32
1"	25,4 x 1,65	140	45°	73	275	14
1 1/2"	38,1 x 1,65	170	45°	73	280	14
2"	50,8 x 1,65	205	45°	90	355	20
2 1/2"	63,5 x 1,65	250	40°	90	350	22
3"	76,2 x 1,65	300	40°	90	365	30
4"	101,6 x 2,11	350	40°	90	390	32

Aseptic Inclined-Seat Valve S31

pneumatic – air to open/spring to close NC



DN	Pipe	A	<	D	H	Stroke
25	29 x 1,5	140	45°	90	235	14
40	41 x 1,5	170	45°	90	240	14
50	53 x 1,5	205	45°	110	294	20
65	70 x 2	250	40°	133	325	22
80	85 x 2	300	40°	160	384	30
100	104 x 2	350	40°	168	392	32
1"	25,4 x 1,65	140	45°	90	235	14
1 1/2"	38,1 x 1,65	170	45°	90	240	14
2"	50,8 x 1,65	205	45°	110	294	20
2 1/2"	63,5 x 1,65	250	40°	133	325	22
3"	76,2 x 1,65	300	40°	160	384	30
4"	101,6 x 2,11	350	40°	168	392	32



Aseptic Valves



Aseptic Inclined-Seat Valve S4

with crank handle

PTFE-Bellows S4.02			Metal Bellows S4.03	
DN	Reference Number	Price	Reference Number	Price
25	40540.2000.05.0004.32	879 €	40540.3000.01.0004.32	924 €
40	40540.2000.05.0006.32	1053 €	40540.3000.01.0006.32	1124 €
50	40540.2000.05.0007.32	1161 €	40540.3000.01.0007.32	1232 €
65	40540.2000.05.0008.32	1565 €	40540.3000.01.0008.32	1592 €
80	40540.2000.05.0009.32	2147 €	40540.3000.01.0009.32	2219 €
100	40540.2000.05.0010.32	3119 €	40540.3000.01.0010.32	3226 €
1"	40540.2000.05.0024.32	879 €	40540.3000.01.0024.32	924 €
1 1/2"	40540.2000.05.0026.32	1053 €	40540.3000.01.0026.32	1124 €
2"	40540.2000.05.0027.32	1161 €	40540.3000.01.0027.32	1232 €
2 1/2"	40540.2000.05.0028.32	1565 €	40540.3000.01.0028.32	1592 €
3"	40540.2000.05.0029.32	2147 €	40540.3000.01.0029.32	2219 €
4"	40540.2000.05.0030.32	3119 €	40540.3000.01.0030.32	3226 €

Aseptic Inclined-Seat Valve S31

pneumatic – air to open/spring to close NC

PTFE-Bellows S31.02			Metal Bellows S31.03	
DN	Reference Number	Price	Reference Number	Price
25	40510.2000.05.0004.32	1104 €	40510.3000.01.0004.32	1149€
40	40510.2000.05.0006.32	1278 €	40510.3000.01.0006.32	1349 €
50	40510.2000.05.0007.32	1380 €	40510.3000.01.0007.32	1451 €
65	40510.2000.05.0008.32	1943 €	40510.3000.01.0008.32	1970 €
80	40510.2000.05.0009.32	2608 €	40510.3000.01.0009.32	2680 €
100	40510.2000.05.0010.32	3605 €	40510.3000.01.0010.32	3712 €
1"	40510.2000.05.0024.32	1104 €	40510.3000.01.0024.32	1149€
1 1/2"	40510.2000.05.0026.32	1278 €	40510.3000.01.0026.32	1349 €
2"	40510.2000.05.0027.32	1380 €	40510.3000.01.0027.32	1451 €
2 1/2"	40510.2000.05.0028.32	1943 €	40510.3000.01.0028.32	1970 €
3"	40510.2000.05.0029.32	2608 €	40510.3000.01.0029.32	2680 €
4"	40510.2000.05.0030.32	3605 €	40510.3000.01.0030.32	3712 €

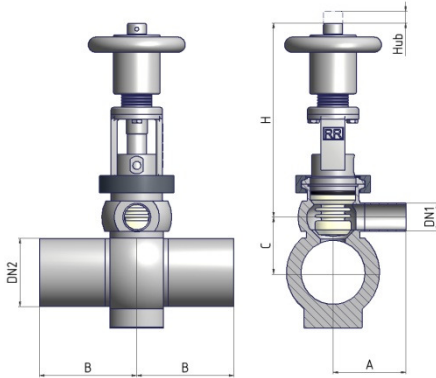


Aseptic Valves



Aseptic Straight-Way Valve D4.02

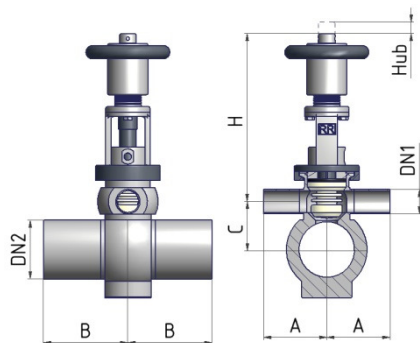
with hand wheel



DN1	DN2	A	B	C	H	Stroke	Ds1xS	Ds2xS
25	25	50	50	37	207	7	29 x 1,5	29 x 1,5
25	40	50	60	43	207	7	29 x 1,5	41 x 1,5
25	50	50	80	49	207	7	29 x 1,5	53 x 1,5
25	65	50	100	57	207	7	29x 1,5	70 x 2
25	80	50	125	54,5	207	7	29 x 1,5	85 x 2
40	40	60	60	46	215	9	41 x 1,5	41 x 1,5
40	50	60	80	52	215	9	41 x 1,5	53 x 1,5
40	65	60	100	60	215	9	41 x 1,5	70 x 2
40	80	60	125	67,5	215	9	41 x 1,5	85 x 2
50	50	80	80	60	326	12	53 x 1,5	53 x 1,5
50	65	80	100	66	326	12	53 x 1,5	70 x 2
50	80	80	125	73,5	326	12	53 x 1,5	85 x 2
50	100	80	150	83	326	12	53 x 1,5	104x2

Aseptic Straight-Way Valve D4.12

with hand wheel – with rinsing inlet



DN1	DN2	A	B	C	H	Stroke	Ds1xS	Ds2xS
25	25	50	50	37	207	7	29 x 1,5	29 x 1,5
25	40	50	60	43	207	7	29 x 1,5	41 x 1,5
25	50	50	80	49	207	7	29 x 1,5	53 x 1,5
25	65	50	100	57	207	7	29x 1,5	70 x 2
25	80	50	125	54,5	207	7	29 x 1,5	85 x 2
40	40	60	60	46	215	9	41 x 1,5	41 x 1,5
40	50	60	80	52	215	9	41 x 1,5	53 x 1,5
40	65	60	100	60	215	9	41 x 1,5	70 x 2
40	80	60	125	67,5	215	9	41 x 1,5	85 x 2
50	50	80	80	60	326	12	53 x 1,5	53 x 1,5
50	65	80	100	66	326	12	53 x 1,5	70 x 2
50	80	80	125	73,5	326	12	53 x 1,5	85 x 2
50	100	80	150	83	326	12	53 x 1,5	104x2



Aseptic Valves



Aseptic Straight-Way Valve D4.02

with hand wheel - with PTFE-bellows

DN1/DN2	Reference Number	Price
25/25	40642.2020.05.0404.32	1238 €
25/40	40642.2020.05.0406.32	1329 €
25/50	40642.2020.05.0407.32	1337 €
25/65	40642.2020.05.0408.32	1435 €
25/80	40642.2020.05.0409.32	1646 €
40/40	40642.2020.05.0606.32	1471 €
40/50	40642.2020.05.0607.32	1484 €
40/65	40642.2020.05.0608.32	1581 €
40/80	40642.2020.05.0609.32	1768 €
50/50	40642.2020.05.0707.32	1532 €
50/65	40642.2020.05.0708.32	1628 €
50/80	40642.2020.05.0709.32	1612 €
50/100	40642.2020.05.0710.32	2319 €

Aseptic Straight-Way Valve D4.12

with hand wheel – with PTFE-bellows

DN1/DN2	Reference Number	Price
25/25	40642.2040.05.0404.32	1284 €
25/40	40642.2040.05.0406.32	1375 €
25/50	40642.2040.05.0407.32	1383 €
25/65	40642.2040.05.0408.32	1481 €
25/80	40642.2040.05.0409.32	1692 €
40/40	40642.2040.05.0606.32	1548 €
40/50	40642.2040.05.0607.32	1638 €
40/65	40642.2040.05.0608.32	1658 €
40/80	40642.2040.05.0609.32	1845 €
50/50	40642.2040.05.0707.32	1614 €
50/65	40642.2040.05.0708.32	1710 €
50/80	40642.2040.05.0709.32	1894 €
50/100	40642.2040.05.0710.32	2401 €

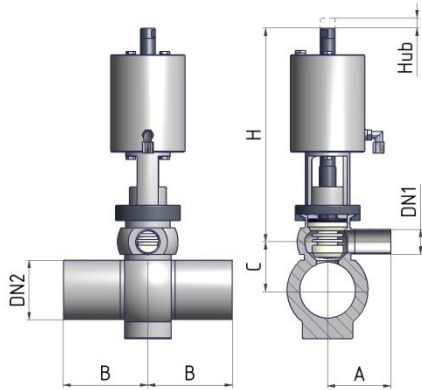


Aseptic Valves



Aseptic Straight-Way Valves D31.02

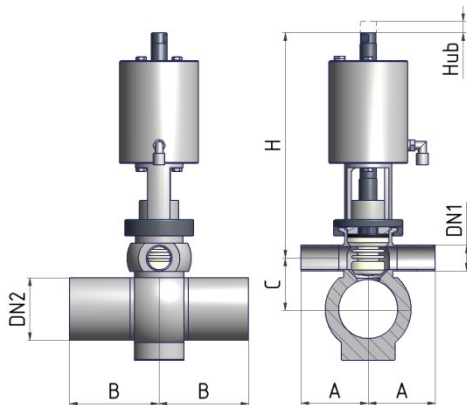
pneumatic – air to open/spring to close NC



DN1	DN2	A	B	C	H	Stroke	Ds1xS	Ds2xS
25	25	50	50	37	255	7	29 x 1,5	29 x 1,5
25	40	50	60	43	255	7	29 x 1,5	41 x 1,5
25	50	50	80	49	255	7	29 x 1,5	53 x 1,5
25	65	50	100	57	255	7	29x 1,5	70 x 2
25	80	50	125	54,5	255	7	29 x 1,5	85 x 2
40	40	60	60	46	262	9	41 x 1,5	41 x 1,5
40	50	60	80	52	262	9	41 x 1,5	53 x 1,5
40	65	60	100	60	262	9	41 x 1,5	70 x 2
40	80	60	125	67,5	262	9	41 x 1,5	85 x 2
50	50	80	80	60	314	12	53 x 1,5	53 x 1,5
50	65	80	100	66	314	12	53 x 1,5	70 x 2
50	80	80	125	73,5	314	12	53 x 1,5	85 x 2
50	100	80	150	83	314	12	53 x 1,5	104x2

Aseptic Straight-Way Valves D31.12

pneumatic - air to open/spring to close NC – with rinsing inlet



DN1	DN2	A	B	C	H	Stroke	Ds1xS	Ds2xS
25	25	50	50	37	255	7	29 x 1,5	29 x 1,5
25	40	50	60	43	255	7	29 x 1,5	41 x 1,5
25	50	50	80	49	255	7	29 x 1,5	53 x 1,5
25	65	50	100	57	255	7	29x 1,5	70 x 2
25	80	50	125	54,5	255	7	29 x 1,5	85 x 2
40	40	60	60	46	262	9	41 x 1,5	41 x 1,5
40	50	60	80	52	262	9	41 x 1,5	53 x 1,5
40	65	60	100	60	262	9	41 x 1,5	70 x 2
40	80	60	125	67,5	262	9	41 x 1,5	85 x 2
50	50	80	80	60	314	12	53 x 1,5	53 x 1,5
50	65	80	100	66	314	12	53 x 1,5	70 x 2
50	80	80	125	73,5	314	12	53 x 1,5	85 x 2
50	100	80	150	83	314	12	53 x 1,5	104x2



Aseptic Valves



Aseptic Straight-Way Valves D31.02

pneumatic – air to open/spring to close NC – with PTFE-bellows

DN1/DN2	Reference Number	Price
25/25	40610.2020.05.0404.32	1459 €
25/40	40610.2020.05.0406.32	1552 €
25/50	40610.2020.05.0407.32	1558 €
25/65	40610.2020.05.0408.32	1657 €
25/80	40610.2020.05.0409.32	1869 €
40/40	40610.2020.05.0606.32	1703 €
40/50	40610.2020.05.0607.32	1715 €
40/65	40610.2020.05.0608.32	1812 €
40/80	40610.2020.05.0609.32	2001 €
50/50	40610.2020.05.0707.32	1768 €
50/65	40610.2020.05.0708.32	1864 €
50/80	40610.2020.05.0709.32	2049 €
50/100	40610.2020.05.0710.32	2637 €

Aseptic Straight-Way Valve D31.12

pneumatic – air to open/spring to close NC –

DN1/DN2	Reference Number	Price
25/25	40610.2040.05.0404.32	1505 €
25/40	40610.2040.05.0406.32	1596 €
25/50	40610.2040.05.0407.32	1604 €
25/65	40610.2040.05.0408.32	1703 €
25/80	40610.2040.05.0409.32	1915 €
40/40	40610.2040.05.0606.32	1780 €
40/50	40610.2040.05.0607.32	1792 €
40/65	40610.2040.05.0608.32	1889 €
40/80	40610.2040.05.0609.32	2078 €
50/50	40610.2040.05.0707.32	1850 €
50/65	40610.2040.05.0708.32	1946 €
50/80	40610.2040.05.0709.32	2131 €
50/100	40610.2040.05.0710.32	2719 €



Aseptic Valves



Aseptic Straight-Way Valve D71.02

pneumatic – air to open/spring to close NC – three-position actuator

DN1	DN2	E	F	Stroke	Ds1xS	Ds2xS
15	25	100	38	5	19 x 1,5	29 x 1,5
15	40	120	41,5	5	19 x 1,5	41 x 1,5
15	50	140	47,5	5	19 x 1,5	53 x 1,5
15	65	160	56	5	19x 1,5	70 x 2
15	80	180	64,5	5	19 x 1,5	85 x 2
15	100	200	73	5	19 x 1,5	104 x 2

Aseptic Straight-Way Valve D71.12

pneumatic – air to open/spring to close NC – three-position actuator - rinsing inlet

DN1	DN2	E	F	Stroke	Ds1xS	Ds2xS
15	25	100	38	5	19 x 1,5	29 x 1,5
15	40	120	41,5	5	19 x 1,5	41 x 1,5
15	50	140	47,5	5	19 x 1,5	53 x 1,5
15	65	160	56	5	19x 1,5	70 x 2
15	80	180	64,5	5	19 x 1,5	85 x 2
15	100	200	73	5	19 x 1,5	104 x 2



Aseptic Valves



Aseptic Straight-Way Valve D71.02

pneumatic – air to open/spring to close NC – three-position actuator - PTFE-bellows

DN1/DN2	Reference Number	Price
15/25	40671.2020.05.0204.32	1322 €
15/40	40671.2020.05.0206.32	1324 €
15/50	40671.2020.05.0207.32	1327 €
15/65	40671.2020.05.0208.32	1380 €
15/80	40671.2020.05.0209.32	1396 €
15/100	40671.2020.05.0210.32	1415 €

Aseptic Straight-Way Valve D71.12

pneumatic – air to open/spring to close NC – three-position actuator - PTFE-bellows

DN1/DN2	Reference Number	Price
15/25	40671.2040.05.0204.32	1362 €
15/40	40671.2040.05.0206.32	1364 €
15/50	40671.2040.05.0207.32	1367 €
15/65	40671.2040.05.0208.32	1420 €
15/80	40671.2040.05.0209.32	1436 €
15/100	40671.2040.05.0210.32	1455 €

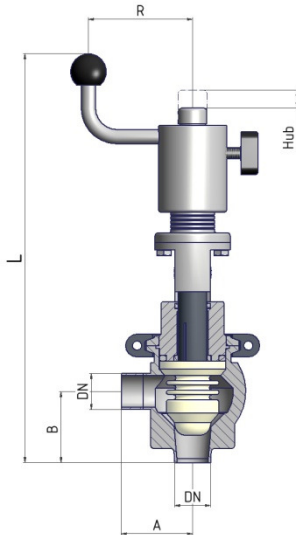


Aseptic Valves



Aseptic Flow Regulating Valve E4.62

with crank handle

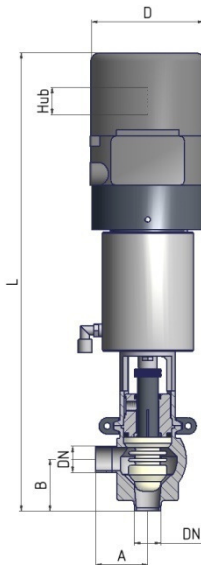


DN	Pipe	A	B	R	L	Stroke	kg
25	29 x 1,5	50	50	73	310	7	
40	41 x 1,5	60	60	73	330	10	
50	53 x 1,5	80	70	90	400	12	
65	70 x 2	100	80	90	415	16	
80	85 x 2	125	90	90	445	18	
100	104 x 2	150	100	90	465	23	
1"	25,4 x 1,65	50	50	73	310	7	
1 1/2"	38,1 x 1,65	60	60	73	330	9	
2"	50,8 x 1,65	80	70	90	400	12	
2 1/2"	63,5 x 1,65	100	80	90	415	15	
3"	76,2 x 1,65	125	90	90	445	18	
4"	101,6 x 2,11	150	100	90	465	23	

In case of order we beg for data conc. operating conditions like media, viscosy, temperature, incoming and outcoming pressure or pressure loss and flow quantity.

Aseptic Flow Regulating Valve E31.62

pneumatic – air to open/spring to close NC – for control top 8630



DN	Pipe	A	B	D	L	Stroke	kg
25	29 x 1,5	50	50	90	490	7	
40	41 x 1,5	60	60	90	505	10	
50	53 x 1,5	80	70	110	565	12	
65	70 x 2	100	80	133	625	16	
80	85 x 2	125	90	160	690	18	
100	104 x 2	150	100	168	705	23	
1"	25,4 x 1,65	50	50	90	490	7	
1 1/2"	38,1 x 1,65	60	60	90	505	9	
2"	50,8 x 1,65	80	70	110	565	12	
2 1/2"	63,5 x 1,65	100	80	133	625	16	
3"	76,2 x 1,65	125	90	160	690	18	
4"	101,6 x 2,11	150	100	168	705	23	



Aseptic Valves



Aseptic Flow Regulating Valve E4.62

with crank handle – with PTFE-bellows

DN	Reference Number	Price
25	41040.2000.05.0004.32	808 €
40	41040.2000.05.0006.32	1125 €
50	41040.2000.05.0007.32	1345 €
65	41040.2000.05.0008.32	1697 €
80	41040.2000.05.0009.32	1966 €
100	41040.2000.05.0010.32	2855 €
1"	41040.2000.05.0024.32	808 €
1 1/2"	41040.2000.05.0026.32	1125 €
2"	41040.2000.05.0027.32	1345 €
2 1/2"	41040.2000.05.0028.32	1697 €
3"	41040.2000.05.0029.32	1966 €
4"	41040.2000.05.0030.32	2855 €

In case of order, details to working conditions are required like media, viscosity, temperature, incoming and outgoing pressure resp. pressure loss and flow quantity.

Aseptic Flow Regulating Valve E31.62

pneumatic – air to open/spring to close NC – with PTFE-bellows – control top 8630

DN	Reference Number	Price
25	41010.2000.05.0004.32	1097 €
40	41010.2000.05.0006.32	1207 €
50	41010.2000.05.0007.32	1452 €
65	41010.2000.05.0008.32	1873 €
80	41010.2000.05.0009.32	2559 €
100	41010.2000.05.0010.32	3488 €
1"	41010.2000.05.0024.32	1097 €
1 1/2"	41010.2000.05.0026.32	1207 €
2"	41010.2000.05.0027.32	1452 €
2 1/2"	41010.2000.05.0028.32	1873 €
3"	41010.2000.05.0029.32	2559 €
4"	41010.2000.05.0030.32	3488 €

plus surcharge for adapter of 115 € net and Bürkert control top 8630 of 792 € net



Aseptic Valves



The **RIEGER Mix Proof Valve N7** guarantees reliable separation of process lines by SIP-capable leakage chamber. SIP-shut-off valves control the steam in- and -outlet at the leakage chamber.

The extraordinary aseptic properties are achieved by **hermetic sealing** from the environment. A temperature surveyance in the leakage chamber is possible at any time. It is important to note that the full spring force is applied in rest as well as when rinsing the valve.

Your advantages

Design	one-piece valve body made from solid bar less welding seams few seals in product area
Product protection	controlled leakage chamber guarantees reliable media separation
Serviceable maintenance	change of seals without special tools less standing time easy cleaning
Efficiency	Connections suitable for orbital welding longlife of the PTFE-bellows low maintenance costs fixing bracket on main actuator

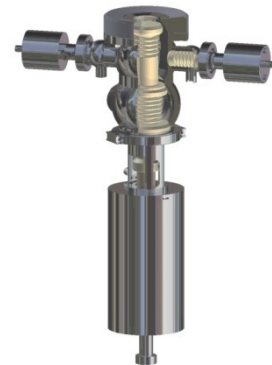
Technische Daten

Material	produktberührt	1.4404/AISI316L
	optional	1.4435/AISI316L
	nicht produktberührt	1.4301/AISI304
Dichtungen nach FDA	Teflonbalg	PTFE
	O-Ringe	EPDM (FDA)
	Metallbalg	1.4571/1.4404
Temperatures maximum	operating temperature	130 °C (266 °F)
	sterilization-temperature	150 °C (300 °F)
		EPDM
		PTFE
Operating pressure	product closing	max. 6 bar (87 psi)
	actuator air pressure	min. 6 bar (87 psi)- max. 10 bar (145 psi)
Surfaces	in product contact	RA ≤ 0,8 µm
	non product contact	RA ≤ 1,6 µm

*dependent upon operating conditions



for pipings



for vessel

unique on the market



PTFE-bellows with metal cap
resistant to granules
i.e. fruit yoghurt;
also available for tank type valve



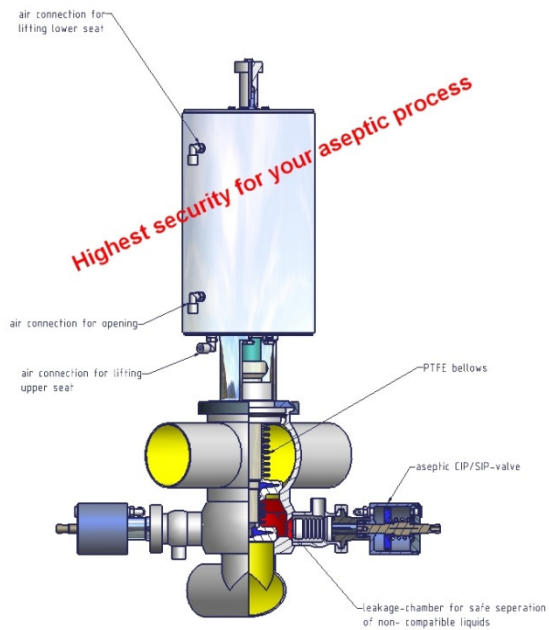
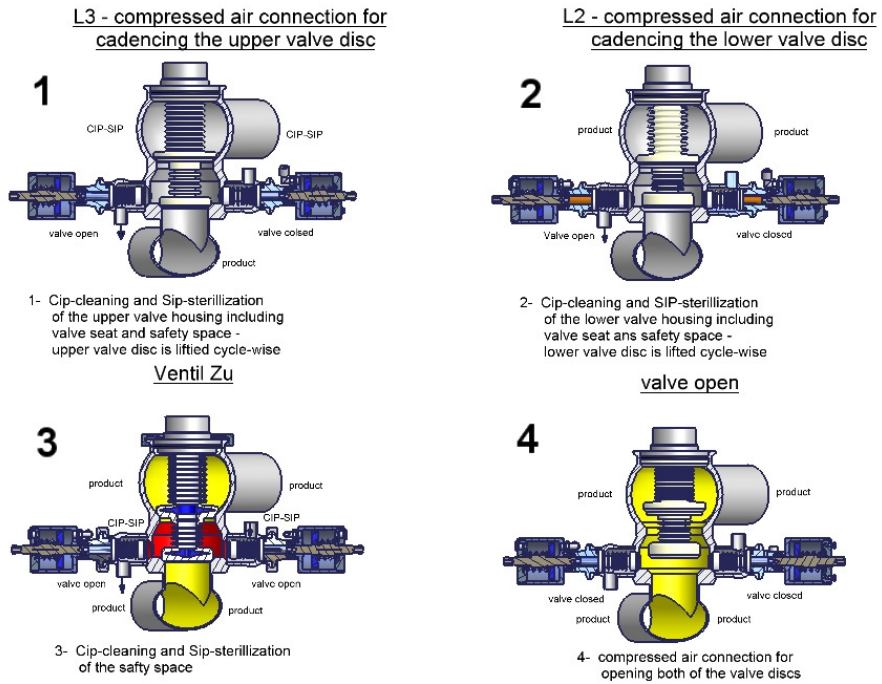
Aseptic Valves



Aseptic Mix Proof Valve N7 for Piping

scheme

aseptic process valve



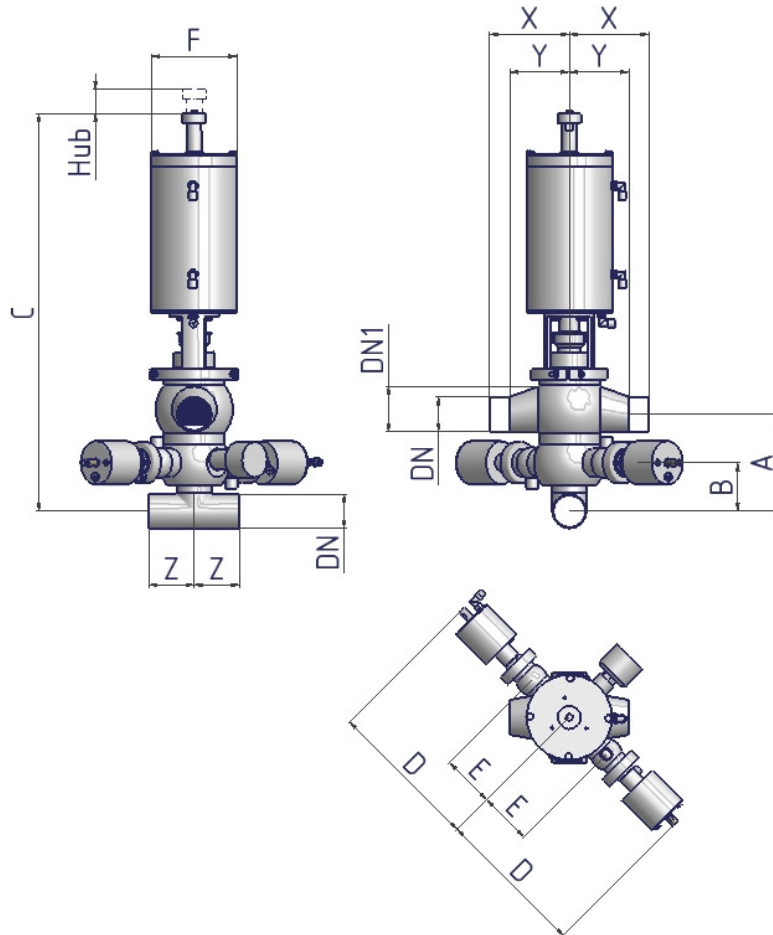


Aseptic Valves



Aseptic Mix Proof Valve N7 for Piping

Dimensions



X = dimension for clusters (according to customer's request)

DN	A	B	C	D	E	ØF	(X)	Y	Z	Stroke	DN 1
40(41x1,5)	135	72	605	240	75	133	(110)	80	60	16	50
50(53x1,5)	150	76	635	245	81	133	(120)	92	70	20	65
65(70x2)	170	83	715	255	92	168	(135)	96	80	22	80
80(85x2)	180	89	750	265	100	168	(150)	118	90	27	100



Aseptic Valves



Aseptic Mix Proof Valve N7 for Piping

pneumatic – air to open/spring to close NC

DN	PTFE-Bellows		Metal Bellows	
	Reference Number	Price	Reference Number	Price
40	30714.2527.05.0606.32	3930 €	30714.3747.01.0606.32	4824 €
50	30714.2528.05.0707.32	4198 €	30714.3748.01.0707.32	5152 €
65	30714.2529.05.0808.32	5186 €	30714.3749.01.0808.32	6365 €
80	30714.2521.05.0909.32	5540 €	30714.3741.01.0909.32	6780 €

PTFE-Bellows with Metal Cap with EPDM-O-Ring

DN	Reference Number	Price
40	30714.2527.15.0606.32	4385 €
50	30714.2528.15.0707.32	4684 €
65	30714.2529.15.0808.32	5786 €
80	30714.2521.15.0909.32	6164 €
100	30714.2522.15.1010.32	8882 €

Type N7.04 – screwing DN 15 between CIP-valves and main valve item 30704

Type N7.14 – clamp union DN 15 between CIP-valve and main valve item 30714

On customer's request, the steam/leakage valves are available with PTFE-bellows or with O-ring-sealing in the types „air to open/spring to close“ or „air to close/spring to open“.

Standard types of CIP-valves for valve type N7 „piping“:

Steam valve:	token
PTFE – spring to close/air to open – alignment „upwards“	5
O-ring – spring to close/air to open – alignment “upwards“	7
Leakage valve:	
PTFE – spring to open/air to close – alignment “downwards“	2
O-ring- spring to open/air to close – alignment “downwards“	4

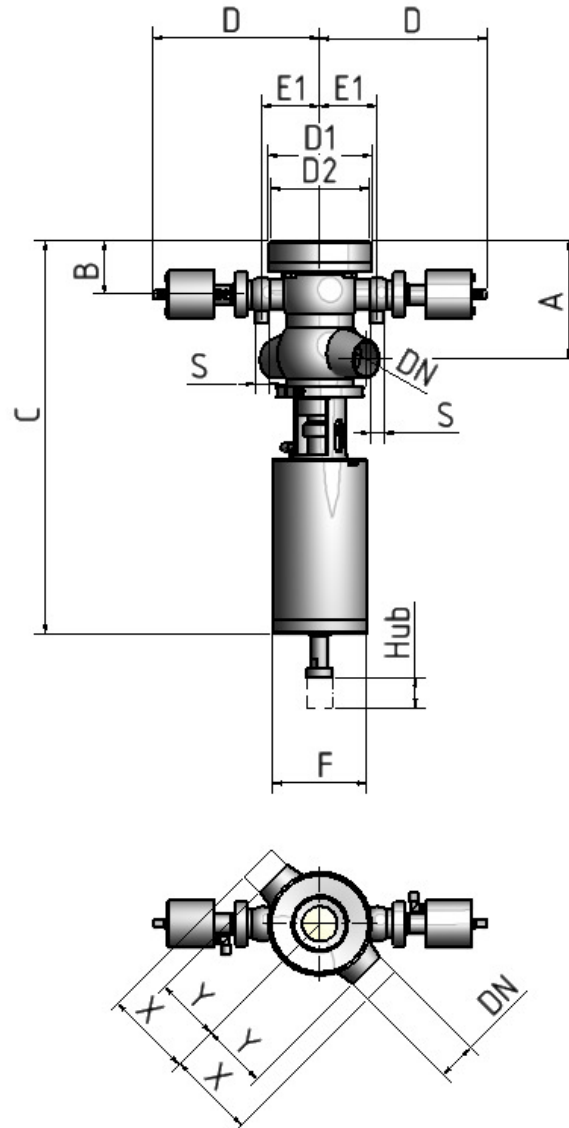


Aseptic Valves



Aseptic Mix Proof Valve N7 as Bottom Seat Valve

Dimensions



X = dimension for clusters (according to customer's request)

DN	A	B	D	D1	D2	E	S	X	Y
40(41x1,5)	150	73	236	133	125	75	19	110	80
50(53x1,5)	166	75	242	146	138	81	19	122	92
65(70x2)	182	78	246	173	165	92	19	126	96
80(85x2)	upon request								



Aseptic Valves



Aseptic Mix Proof Valve N7 as Bottom Seat Valve

pneumatic – air to open/spring to close NC

DN	PTFE-Bbellows		Weld-in Flange	
	Reference Number	Price	Reference Number	Price
40	30712.2127.05.0606.32	4563 €	30710.0000.01.0006.31	164 €
50	30712.2128.05.0707.32	4591 €	30710.0000.01.0007.31	185 €
65	30712.2129.05.0808.32	5701 €	30710.0000.01.0008.31	192 €
80	30712.2121.05.0909.32	upon request	30710.0000.01.0009.31	270 €

with EPDM-O-ring
and screws

Prices are meant without weld-in flange.

**Weld-in Flanges are not
eligible for Discount.**

Type N7.0 – Screw connection DN 15 between CIP-valves and main valve item 30702

Type N7.1 – Clamp connection DN 15 between CIP-valves and main valve item 30712

Depending on customer's request, the steam/leakage valves are available with PTFE-bellows or with O-ring-sealing in the types „air to open/ spring to close“ or „air to close/spring to open“.

Standard version of the CIP-valves for type „tank“:

steam valve:	token
PTFE – spring to close/air to open – alignment „downwards“	1
O-Ring- spring to open/air to close – alignment “downwards”	3
Leakage valve:	
PTFE – spring to open/air to close – alignment „downwards“	2
O-Ring- spring to open/air to close – alignment “downwards”	4



Aseptic Valves



The **RIEGER-Aseptic Mix Proof Valve N13** combines the advantages of the hygienic double seat valve N1 proven of long standing with those of the aseptic process valve N7.

The bellows hermetically seals against the environment. The double valve seat separates both process lines so that the mixing of two liquids is completely prevented.

The new construction of the bellows renounces of CIP-valves and a leakage chamber and so allows a very dense valve.

As the lower as well as the upper valve disk may be lifted separately. The valve may be cleaned and sterilized in "open" and in "closed"-position.

Your advantages

Design	one-piece valve body made from solid bar - absolutely dead-leg free less seams in product area leakage free lifttable		
Product safety	water hammer safe up to 20 bar against mixing of cleaning agent with product by means of double valve seat locking mechanism rinsable and sterilisable vacuum-safe		
Maintenance	Actuator can be dismantled upwards completely in once piece		
Efficiency	long life of the PTFE-bellows lows maintenance costs few spare parts = same spare parts from DN 40 up to DN 80		
Material	in product contact	1.4404/AISI316L	
	optional	1.4435/AISI316L	
	non product contact	1.4301/AISI304	
Seals	PTFE-bellows	PTFE	
	O-rings	EPDM (FDA)	
	metal bellows	1.4571/1.4404	
		EPDM	PTFE
Temperatures maximum	operating-temperature	130 °C (266 °F)	121 °C (250 °F)
	sterilization-temperature	150 °C (300 °F)	135 °C (275 °F) short-time* (approx. 20 min)
Operating pressure	closing pressure		max. 6 bar (87 psi)
	actuator air pressure		min. 6 bar (87 bar)– max. 10 bar (145 psi)
Surfaces	in product contact		RA <= 0,8 µm
	non product contact		RA <= 1,6 µm
Standard-pipe	DIN 11850-R2 (DIN 11866 A) O.D.-Tube (DIN 11866 C)		

*dependent upon operating conditions



Patent granted



TYPE EL - CLASS I
JANUARY 2012

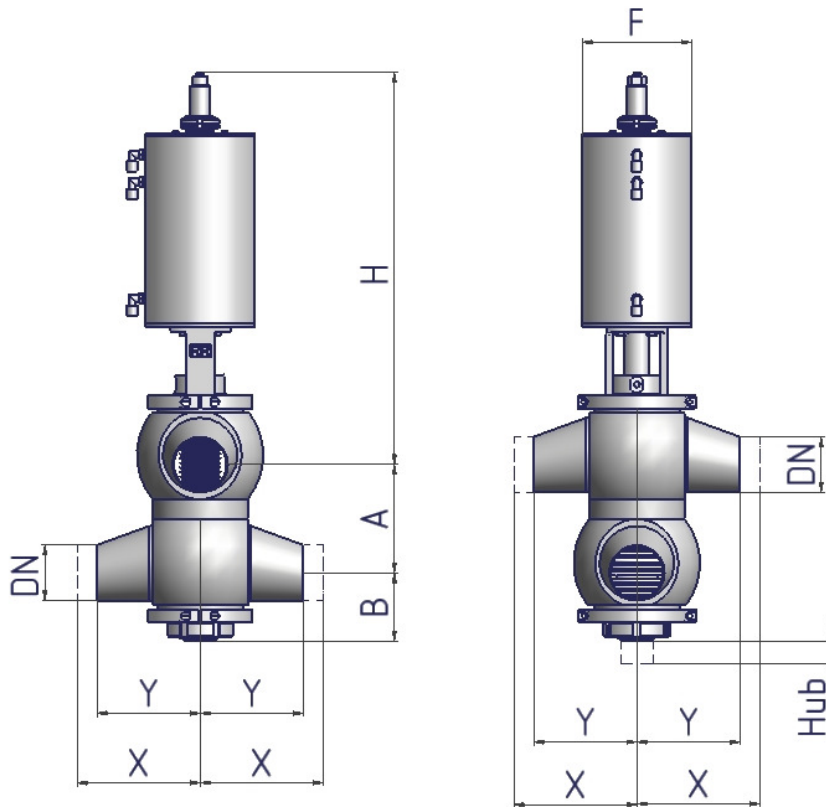


Aseptic Valves



Aseptic Mix Proof Valve N13

Dimensions



X = dimension for clusters (according to customer's request)

DN	A	B	H	ØF	X	Y	stroke
40							
50	130	94	488	138		150	36
65	138,5	94	495	138		106	36
80	145,5	94	473	138		125	36
100							



Aseptic Valves



Aseptic Mix Proof Valve N13

pneumatic – air to open/spring to close NC

PTFE-Bellows		
DN	Reference Number	Price
40	31300.2409.01.0606.32	3750 €
50	31300.2409.01.0707.32	3750 €
65	31300.2409.01.0808.32	3750 €
80	31300.2409.01.0909.32	3750 €
100	31300.2401.01.1010.32	upon request

DN	Pipe
40	41 x 1,5
50	53 x 1,5
65	70 x 2
80	85 x 2
100	104 x 2

Sealing Kit		PTFE-bellows
product wetted	Reference Number	Price
40-80	5005453	908 €
100	upon request	

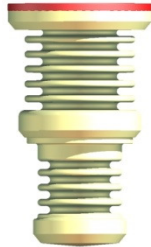


Aseptic Valves



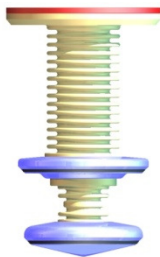
Sealing Kits for Aseptic Mix Proof Valve N7

for type „Piping“



DN	Reference Number	Price
PTFE-Bellows		
40	5001729	620 €
50	5001731	763 €
65	5002672	798 €
80	5004387	upon
100	5005122	request

Silicone-O-Ring behind bellows included in the price.



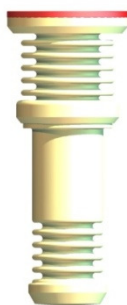
DN	Reference Number	Price
PTFE-Bellows with Metal Cap with EPDM-O-rings		
40	5005121	847 €
50	5005120	909 €
65	5005117	951 €
80	5005119	1013 €
100	5005118	1136 €

Silicone-O-Ring behind bellows included in the price.



DN	Reference Number	Price
Metal Bellows with EPDM-O-rings		
40	5005125	
50	5005124	upon
65	5005123	
80	5004388	request

for type “Bottom Seat Valve“



DN	Reference Number	Price
PTFE-Bellows		
40	5004865	880 €
50	5001587	947 €
65	5004973	1125 €
80	5005126	upon request

Silicone-O-Ring behind bellows included in the price.



Aseptic Valves



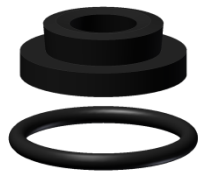
Sealing Kits for Aseptic Mix Proof Valve N7

for aseptic CIP/SIP-valve DN 15



Material	Reference Number	Price
	Sealing Kit	
PTFE	5001591	146 €
	Silicone-O-ring behind bellows included in the price.	

for hygienic CIP/SIP-valve DN 15



Material	Reference Number	Price
	Sealing Kit product wetted	
EPDM	5001589	44 €
Viton	5005127	upon request



Aseptic Valves



Sealing Kits

product wetted

PTFE-Bellows			Metal Bellows	
DN	Reference Number	Price	Reference Number	Price
10-15	5004740	115 €		
20	5001854	117 €		
25	5001165	124 €	5001434	318 €
40	5001213	138 €	5001806	344 €
50	5001327	218 €	5001436	358 €
65	5001211	280 €	5001438	389 €
80	5001209	395 €	5002077	401 €
100	5001220	571 €	5002012	upon request
with	for Angle Valves L-type		with	
Silicone-O-ring	Double Angle Valves T-type		EPDM-	
behind bellows	Cross Valves		O-rings	
	Straight-Way Valves			

Sealing Kits

EPDM-O-rings for metal bellows

DN	Reference Number	Price
25	5001803	15 €
40	5001808	18 €
50	5000016	21 €
65	5001805	23 €
80	5002079	24 €
100	5002014	29 €



Aseptic Valves



Sealing Kits

product wetted

DN	PTFE-Bellows		Metal Bellows	
	Reference Number	Price	Reference Number	Price
25	5005128	342 €		
40	5003355	365 €		
50	5001266	480 €		upon
65	5001440	512 €		
80	5001371	725 €		request
100	5001369	933 €		

with **for Divert Valves**
 Silicone-O-Ring
 behind bellows

Sealing Kits

product wetted

DN	Bottom seat valve		Inclined seat valve	
	Reference Number	Price	Reference Number	Price
10	5002375	150 €	see chapter 6	
15	5002375	150 €	5001878	146 €
20	5002375	150 €	5001878	146 €
25	5001718	188 €	5004307	183 €
40	5001720	222 €	5004308	217 €
50	5001626	285 €	5005696	280 €
65	5001974	466 €	5004610	461 €
80	5003685	682 €	5005566	674 €
100	5005697	1047 €	5005129	1037 €

PTFE for ISO upon request PTFE
 wit Silicone-O-ring behind bellows – not product wetted
 with EPDM-O-ring for weld-inflange



Aseptic Valves



O-Ring for Weld-in Flange for Bottom Seat Valve

EPDM

DN	Dimensions	Reference Number	Price
10-20	32 x 3	1000171	4,45 €
25	50 x 5	1001206	4,90 €
40	58 x 5	1000115	5,10 €
50	72 x 5	1001208	6,90 €
65	90 x 5	1001491	7,95 €
80	100 x 5	1000812	9,70 €
100	130 x 5	1001401	12,80 €

Spare Parts

Wearing Parts Set for Pneumatic Actuator Type 300

DN	Reference Number	Price
10-20	5002400	18 €
25	5000428	25 €
40	5000428	25 €
50	5002487	28 €
65	5002488	31 €
80	5002489	35 €
100	5002489	35 €



Aseptic Valves



Rinsing Inlet

for Bottom Seat Valves

for all sizes

Ø13 mm x 1,5 mm

Reference Number

Price

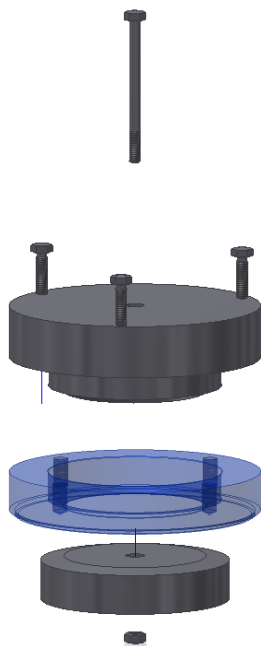
9000000003899

85 €

Material: 1.4404

Weld-in Device for Weld-in Flanges

for Bottom Seat Valves



DN

Reference Number

Price

10-20

5005332

144 €

25

5005615

165 €

40

5005616

181 €

50

5005617

214 €

65

5005618

235 €

80

5005516

250 €

100

5005614

283 €

Material: Aluminium

not eligible for discount

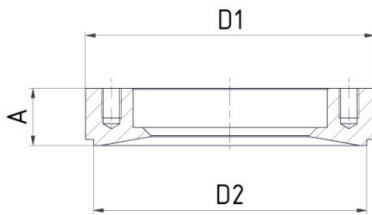


Aseptic Valves



Weld-in Flanges

for Bottom Seat Valves – with EPDM-O-Ring and Screws



DN	Reference Number	D1	D2	A	Price
10-20	40700.0000.01.0003.31	75	68	16,5	62 €
25	40700.0000.01.0004.31	108	100	23	74 €
40	40700.0000.01.0006.31	133	125	29	118 €
50	40700.0000.01.0007.31	146	138	29	133 €
65	40700.0000.01.0008.31	173	165	30	138 €
80	40700.0000.01.0009.31	186	176	33,5	194 €
100	40700.0000.01.0010.31	217	209	34	225 €

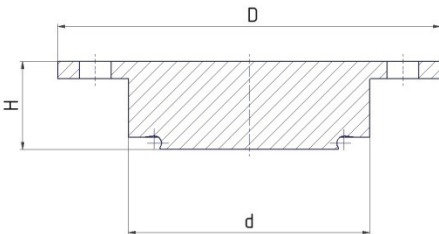
Material: 1.4404

for wall thickness 3 mm

(for other wall thicknesses on request)

Blind Flange (= Counterpart to Weld-in Flange)

for Bottom Seat Valve – with EPDM-O-Ring, Screws, Washer



DN	Reference Number	D	d	H	Price
10-20	5004640	75	50	20,9	62 €
25	5004620	108	71	25,8	74 €
40	5003009	133	84	30,6	118 €
50	5003005	146	98	30,6	133 €
65	5003006	173	119	31,1	138 €
80	5003007	186	138	35	194 €
100	5003008	217	167	35	225 €

Material: 1.4404

not eligible for discount



Aseptic Valves

