



page

2	Ⓢ Technical Informations
3	Ⓢ Sampling Valves DN 10
12	Ⓢ Mini-Sampling Valves DN 6 and DN 8
18	Ⓢ Sampling Valves with Steam Valve
20	Ⓢ Inclined-Seat Valves
21	Ⓢ Sampling into Bottle
22	Ⓢ Accessories



BioCheck Valves



The **BioCheck sampling valves** allow easy and safe sampling from closed systems like vessels and pipings. The most important features are the **aseptic** and the **very compact** design, so that the integration into sterile production lines and into CIP/SIP-circulations runs easily and **without any contamination**.

The valves are **dead space free** and can be cleaned in an easy way. The PTFE-bellows guarantees **hermetic** sealing against environment, which is also sealing to the product side.

Your advantages

Design	Valve body made from solid bar absolutely dead space free completely drainable connections suitable for orbital welding
Absolute product safety	hermetically sealed against environment easily and thoroughly cleanable
Serviceable maintenance	change of seals without special tools less standing times
Efficiency	long life of the PTFE-bellows low spare part costs

Technical Data

Material	product contact 1.4435/AISI316L non product contact 1.4301/AISI304
Seals	PTFE-bellows PTFE optional with BAM-approval
Temperatures maximum	operating temperature 121 °C (250 °F) sterilization-temperature 135 °C (275 °F) short time* (approx. 20 min)
Pressures	closing pressure max. 8 bar (116 psi) type "hand wheel" up to 16 bar (232 psi) min. 6 bar (87 psi) air pressure max. 10 bar (145 psi)
Surfaces	product contact RA <= 0,8 µm optional e-polished non product contact RA <= 1,6 µm
Connections	available with 1 or 2 outlets connection types: see following pages
Types	O = lever with position „open“ S = self-closing lever P = without lever H = manual - with hand wheel



**certified according to TA-Luft
VDI 2440 / VDI 3479**

3A-versions available

**see 3A-certificate
on Website
www.rr-rieger.de**



*dependent upon operating conditions



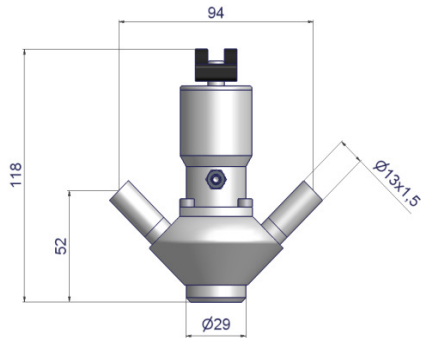
BioCheck Valves



BioCheck pneumatic with Lever

air to open/spring to close NC – for vessel

PB1.02.001



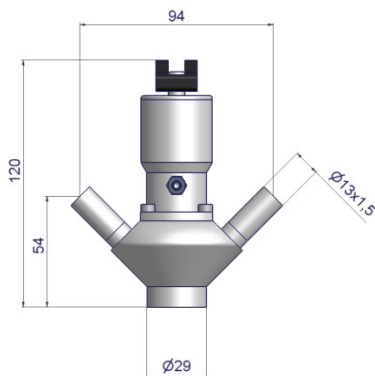
Type	Reference Number	Price
S	70101.2110.01.0001.51	430 €
O	70102.2110.01.0001.51	430 €
P	70103.2110.01.0001.51	430 €

for 4 mm wall thickness maximum

BioCheck pneumatic with Lever

air to open/spring to close – for piping

PB1.02.011



Type	Reference Number	Price
S	70201.2110.01.0001.51	430 €
O	70202.2110.01.0001.51	430 €
P	70203.2110.01.0001.51	430 €



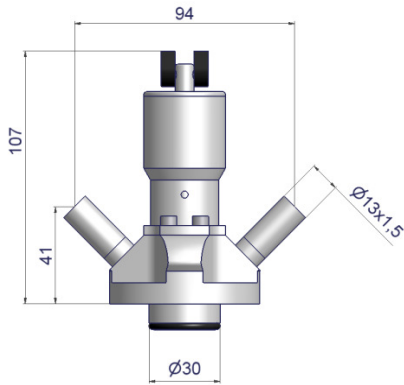
BioCheck Valves



BioCheck pneumatic with Lever

air to open/spring to close - für BioControl-Anschluss DN 25

PB1.02.031

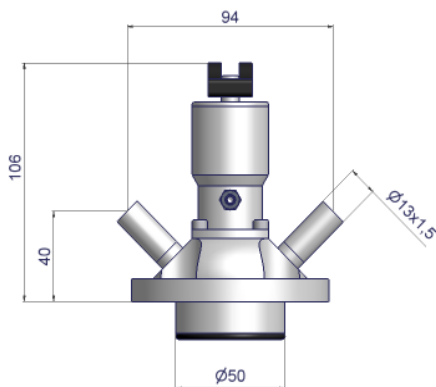


Type	Reference Number	Price
S	70401.2110.01.0401.51	485 €
O	70402.2110.01.0401.51	485 €
P	70403.2110.01.0401.51	485 €

BioCheck pneumatic with Lever

air to open/spring to close - für BioControl-Anschluss DN 50

PB1.02.041



Type	Reference Number	Price
S	70401.2110.01.0701.51	518 €
O	70402.2110.01.0701.51	518 €
P	70403.2110.01.0701.51	518 €



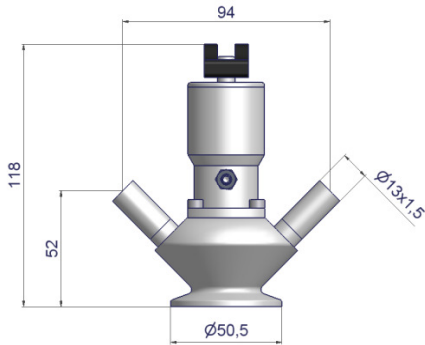
BioCheck Valves



BioCheck pneumatic with Lever

air to open/spring to close - for Tri-Clamp-connection DIN 32676

PB1.02.021

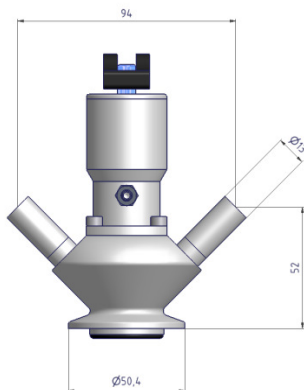


Type	Reference Number	Price
S	70301.2110.01.0001.51	465 €
O	70302.2110.01.0001.51	465 €
P	70303.2110.01.0001.51	465 €

BioCheck pneumatic with Lever

air to open/spring to close - for BioConnect-clamp DN 25 DIN type V

PB1.02.061



Type	Reference Number	Price
S	70601.2110.01.0001.51	465 €
O	70602.2110.01.0001.51	465 €
P	70603.2110.01.0001.51	465 €
for BioConnect Clamp Form R DIN DN 25		
Reference number 109130000254100		



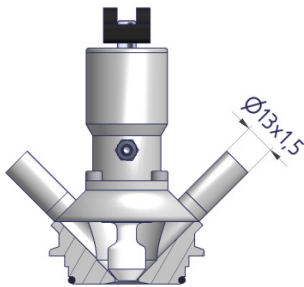
BioCheck Valves



BioCheck pneumatic with Lever

air to open/spring to close – for Varivent-Inline-valve body DN 25

PB1.02.081 – dm 66 mm

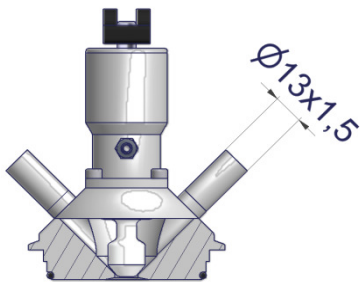


Type	Reference Number	Price
S	70501.2110.01.0401.51	518 €
O	70502.2110.01.0401.51	518 €
P	70503.2110.01.0401.51	518 €

BioCheck pneumatic with Lever

air to open/spring to close – for Varivent-Inline-valve body DN 40

PB1.02.051 – dm 84 mm



Type	Reference Number	Price
S	70501.2110.01.0601.51	518 €
O	70502.2110.01.0601.51	518 €
P	70503.2110.01.0601.51	518 €



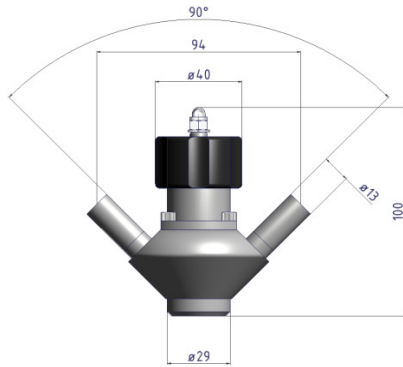
BioCheck Valves



BioCheck with Hand Wheel

for vessel

PB4.02.001

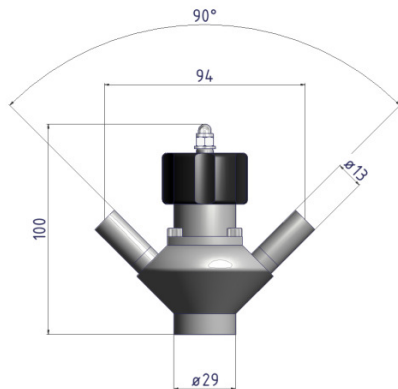


Type	Reference Number	Price
H	70104.2110.01.0001.51	330 €
for 4 mm wall thickness maximum		

BioCheck with Hand Wheel

for piping

PB4.02.011



Type	Reference Number	Price
H	70204.2110.01.0001.51	330 €



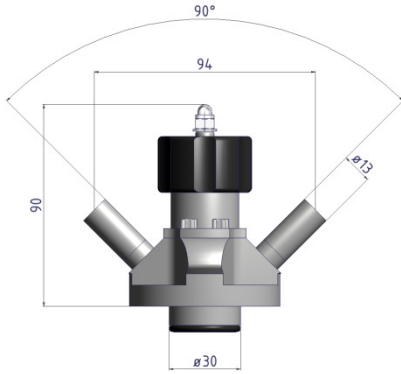
BioCheck Valves



BioCheck with Hand Wheel

for BioControl-connection DN 25

PB4.02.031

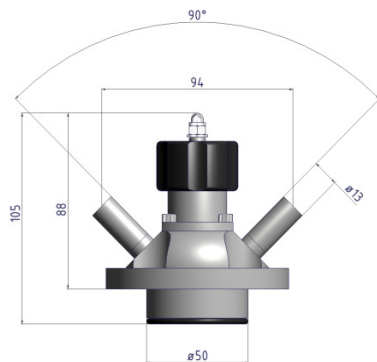


Type	Reference Number	Price
H	70404.2110.01.0401.51	385 €

BioCheck with Hand Wheel

for BioControl-connection DN 50

PB4.02.041



Type	Reference Number	Price
H	70404.2110.01.0701.51	418 €



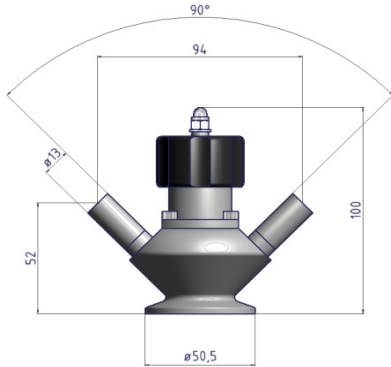
BioCheck Valves



BioCheck with Hand Wheel

for Tri-Clamp-connection DIN 32676

PB4.02.021

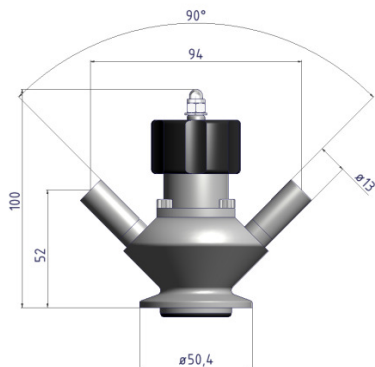


Type	Reference Number	Price
H	70304.2110.01.0001.51	365 €

BioCheck with Hand Wheel

for BioConnect-Clamp DN 25 DIN type V

PB4.02.061



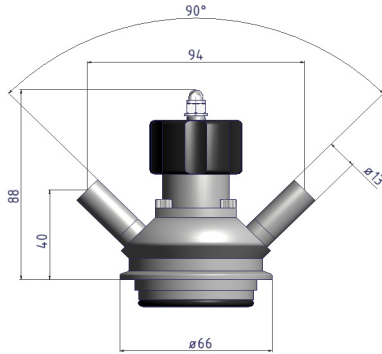
Type	Reference Number	Price
H	70604.2110.01.0001.51	365 €
for BioConnect Clamp Form R DIN DN 25		
reference number 109130000254100		



BioCheck with Hand Wheel

for Varivent-Inline-valve body DN 25

PB4.02.081 – dm 66 mm

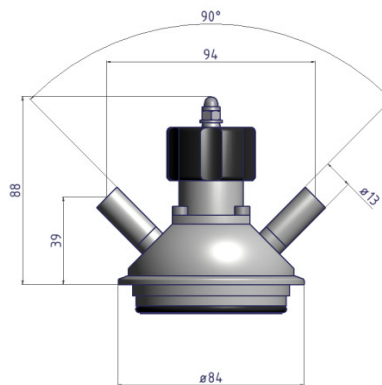


Type	Reference Number	Price
H	70504.2110.01.0401.51	420 €

BioCheck with Hand Wheel

for Varivent-Inline-valve body DN 40

PB4.02.051 – dm 84 mm



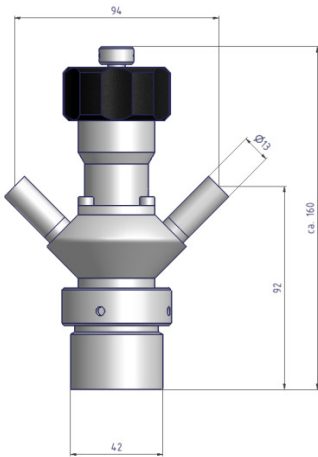
Type	Reference Number	Price
H	70504.2110.01.0601.51	420 €



BioCheck with hand wheel

for Ingold nozzle

PB6.02.001 – for Ingold nozzle with legthe 40 mm

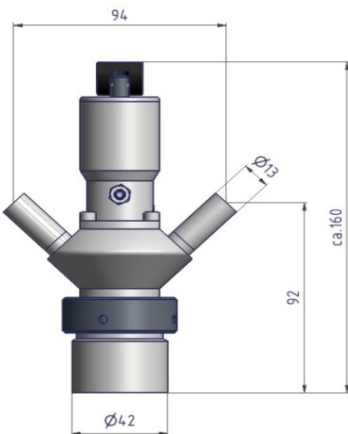


Type	Reference Number	Price
	without Ingold nozzle	
H	70704.2110.01.0501.51	609 €
	with Ingold nozzle	
H	70704.2115.01.0501.51	696 €

BioCheck pneumatic with Lever

air to open/spring to close NC – for Ingold nozzle

PB7.02.091 - for Ingold nozzle with length 40 mm



Type	Reference Number	Price
	without Ingold nozzle	
S	70701.2110.01.0501.51	584 €
O	70702.2110.01.0501.51	584 €
P	70703.2110.01.0501.51	584 €
	with Ingold nozzle	
S	70701.2115.01.0501.51	671 €
O	70702.2115.01.0501.51	671 €
P	70703.2115.01.0501.51	671 €

- S = with self-closing lever
- O = lever for open position
- P = without lever

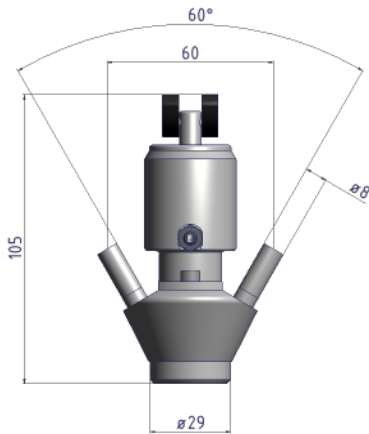


BioCheck Valves



Mini-BioCheck pneumatic with Lever

air to open/spring to close NC – for vessel

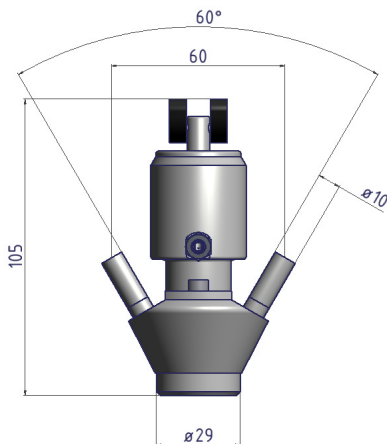


DN 6

Type	Reference Number	Price
S	70101.2110.01.0016.51	430 €
O	70102.2110.01.0016.51	430 €
P	70103.2110.01.0016.51	430 €

Mini-BioCheck pneumatic with Lever

air to open/spring to close NC – for vessel



DN 8

Type	Reference Number	Price
S	70101.2110.01.0018.51	430 €
O	70102.2110.01.0018.51	430 €
P	70103.2110.01.0018.51	430 €

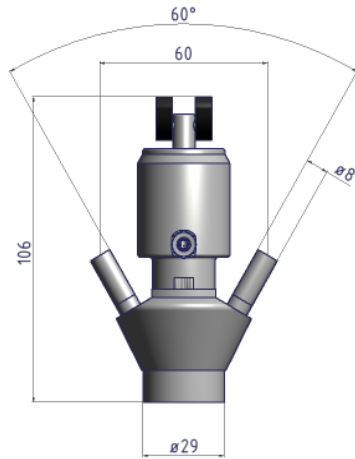


BioCheck Valves



Mini-BioCheck pneumatic with Lever

air to open/spring to close NC – for piping

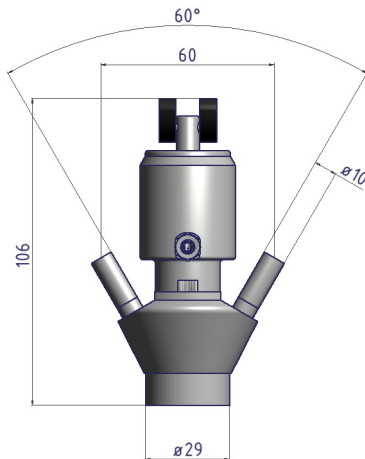


DN 6

Type	Reference Number	Price
S	70201.2110.01.0016.51	430 €
O	70202.2110.01.0016.51	430 €
P	70203.2110.01.0016.51	430 €

Mini-BioCheck pneumatic with Lever

air to open/spring to close NC – for piping



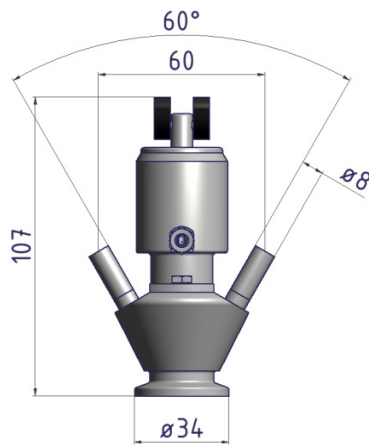
DN 8

Type	Reference Number	Price
S	70201.2110.01.0018.51	430 €
O	70202.2110.01.0018.51	430 €
P	70203.2110.01.0018.51	430 €



Mini-BioCheck pneumatic with Lever

air to open/spring to close NC – for clamp dm 34

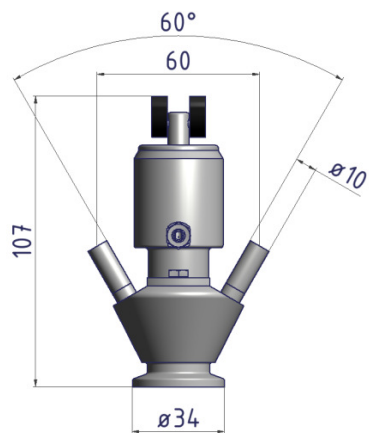


DN 6

Type	Reference Number	Price
S	70301.2110.01.0016.51	465 €
O	70302.2110.01.0016.51	465 €
P	70303.2110.01.0016.51	465 €

Mini-BioCheck pneumatic with Lever

air to open/spring to close NC – for clamp dm 34



DN 8

Type	Reference Number	Price
S	70301.2110.01.0018.51	465 €
O	70302.2110.01.0018.51	465 €
P	70303.2110.01.0018.51	465 €

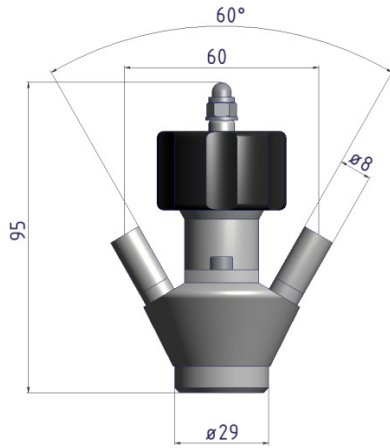


BioCheck Valves



Mini-BioCheck with Hand Wheel

for vessel

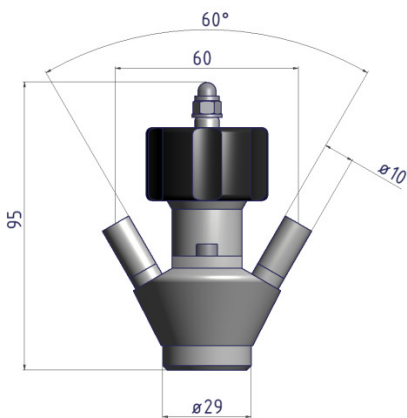


DN 6

Type	Reference Number	Price
H	70104.2110.01.0016.51	330 €

Mini-BioCheck with Hand Wheel

for vessel



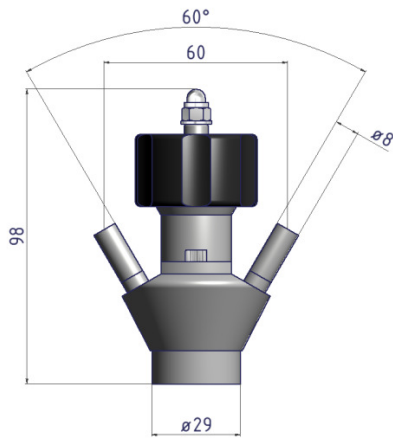
DN 8

Type	Reference Number	Price
H	70104.2110.01.0018.51	330 €



Mini-BioCheck with Hand Wheel

for piping

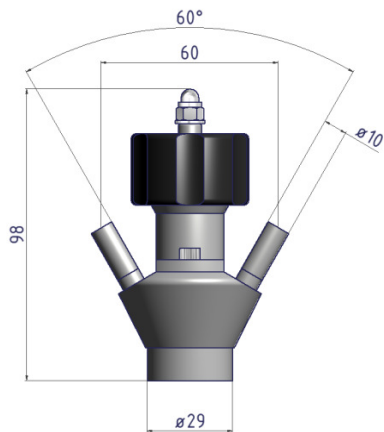


DN 6

Type	Reference Number	Price
H	70204.2110.01.0016.51	330 €

Mini-BioCheck with Hand Wheel

for piping



DN 8

Type	Reference Number	Price
H	70204.2110.01.0018.51	330 €

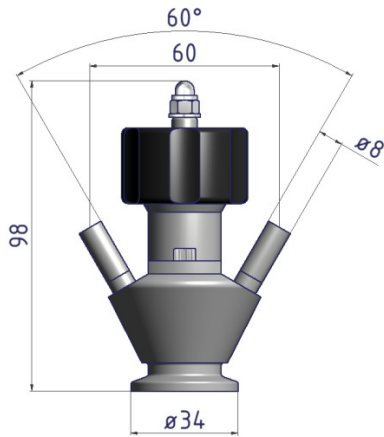


BioCheck Valves



Mini-BioCheck with Hand Wheel

for Clamp dm 34

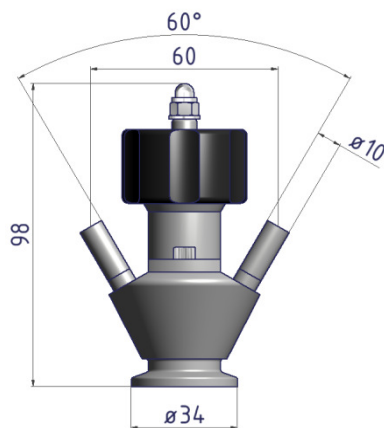


DN 6

Type	Reference Number	Price
H	70304.2110.01.0016.51	365 €

Mini-BioCheck with Hand Wheel

for Clamp dm 34



DN 8

Type	Reference Number	Price
H	70304.2110.01.0018.51	365 €

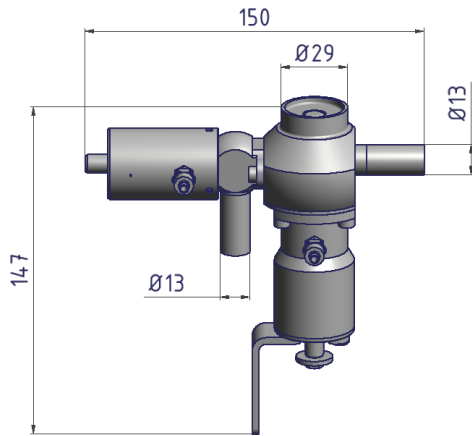


BioCheck Valves



BioCheck Combi Valve - Sampling Valve with Steam Valve

air to open/spring to close NC - with 1 CIP-valve



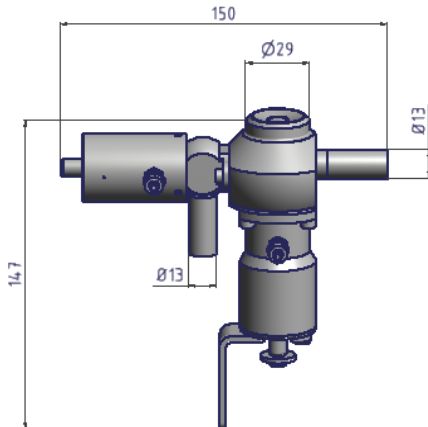
for piping PB31.02.311

Type	Reference Number	Price
S	72201.2110.01.0001.51	1159 €
with lever		
P	72203.2110.01.0001.51	1159 €
without lever, with bracket for initiator		



BioCheck Combi Valve - Sampling Valve with Steam Valve

air to open/spring to close NC – with 1 CIP-valve



for vessel PB31.02.301

Type	Reference Number	Price
S	72301.2110.01.0001.51	1159 €
with lever		
P	72303.2110.01.0001.51	1159 €
without lever, with bracket for initiator		



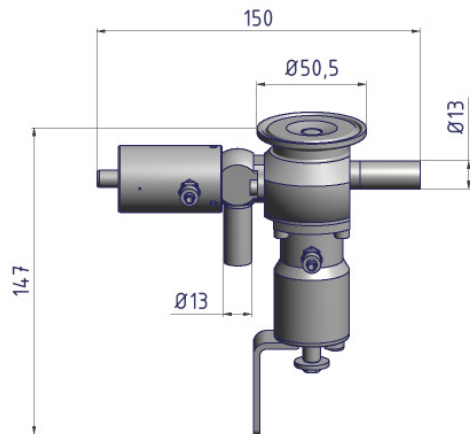


BioCheck Valves



BioCheck Combi Valve - Sampling Valve with Steam Valve

air to open/spring to close – with 1 CIP-valve



for clamp connection PB31.02.321

Type	Reference Number	Price
S	72401.2110.01.0001.51	1189 €
	with lever	
P	72403.2110.01.0001.51	1189 €
	without lever, with bracket for initiator	



Accessories

for BioCheck Combi Valve – Sampling valve with steam valve

	Reference Number	Price
Gasket kit for sampling valve	5001838	48 €
Steam valve as spare part	5271301	747 €
Insert kit for steam valve	5006078	138 €
version spring closing NC		
Bracket on sampling valve	5006047	7,90€
for 1 proximity switch dm 12 mm		
Bracket on steam valve	5006046	7,20 €
for 1 proximity switch dm 8 mm		

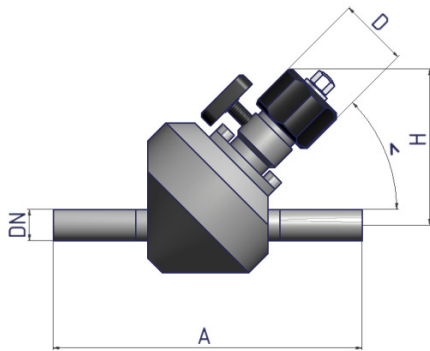


BioCheck Valves



BioCheck Inclined-Seat Valve S44

with hand wheel

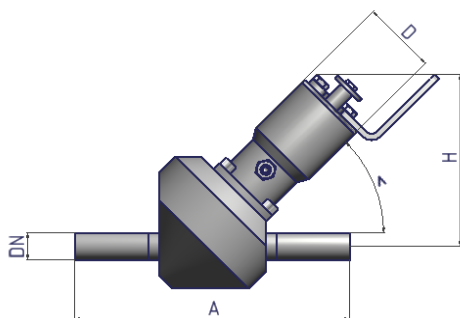


Type	Reference Number	Price			
stainless steel in contact with product: 316L					
H	70904.2110.01.0001.32	558 €			
Set of gaskets product wetted					
	5002458	62 €			
DN	Pipe	A	H	D	Stroke
10	13 x 1,5	130	65	30	3

< = 45°

BioCheck Inclined-Seat Valve S41

pneumatic – air to open/spring to close



Type	Reference Number	Price			
stainless steel in contact with product: 316L					
P	70903.2110.01.0001.32	658 €			
Set of gaskets product wetted					
	5002458	62 €			
DN	Pipe	A	H	D	Stroke
10	13x1,5	130	82	35	3

< = 45°

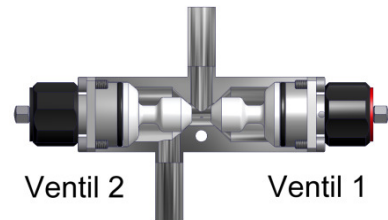


Sampling into Bottle PB5.02

manually operated



illustrated with filter



Sterile Sampling

- for all usual laboratory bottles
- connection threading GL45 ISO
- for samples from 100 to 2000 ml
- no air contact
- absolute aseptic system
- with connection threading for laboratory air filter NPT 1/8"

Sampling into bottle

- open valve 2
- sterilize or rinse
- close valve 2
- open **valve 1**
- = sampling flows into bottle

Dismantling out of piping

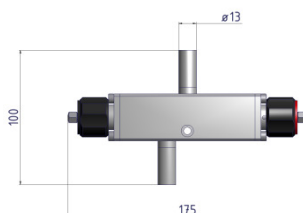
- close **valve 1**
- uncouple head from bypass

Type	Reference Number	Price	Type
SS	75040.2110.05.1101.51	1432 €	with 2 weld-on ends 13 x 1,5
TT	75040.2660.05.1101.51	1504 €	with 2 nozzles for quick coupling
CC	75040.2440.05.1101.51	1524 €	with 2 clamps DN 10 DIN 32676

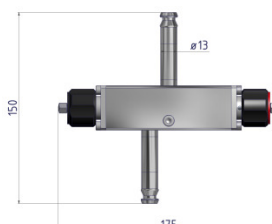
with 250 ml-bottle, without filter

Accessories			
	3000878	16 €	Duran-laboratory bottle 250 ml
	3002261	45 €	Millex-filter dm 50, 0,2 mm pore size
	5002117	102 €	Set of gaskets product wetted

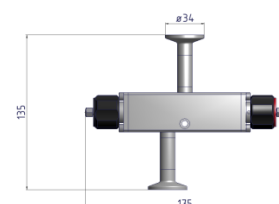
Head with 2 weld-on ends 13 x 1,5



Head with 2 nozzels for quick coupling



Head with 2 clamps DN 10 DIN 32676





Accessories

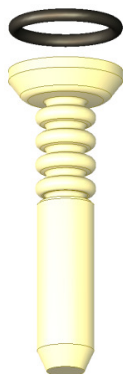
Set of gaskets product wetted for standard valve



Type	Reference Number	Price
Material:PTFE/Silicone		
DN 6 und 8	5005480	48 €
DN 10	5001838	48 €

Accessories

Set of gaskets product wetted for type „Ingold“



Type	Reference Number	Price
Material: PTFE/Silicone		
PB6/PB7	5005111	166 €



Accessories for DN 10

Nozzle for quick coupling



DN	Reference Number	Price
10	5005046	36 €
1.4435	A B	C

incl. welding and inner surface Ra 0,8 μm mechanic polished

Accessories for DN 10

Quick coupling for nozzles



DN	Reference Number	Price
10	3000616	95 €
1.4305		

length: approx. 150 mm
for hoses with
inner-dm 11 mm and
outer-dm approx. 12,5 mm
(expandable because of coil spring)



Accessories

Set of protecting caps for nozzles for quick coupling



Material	Reference Number	Price
----------	------------------	-------

rubber/steel	5002825	80 €
--------------	---------	------

consisting of

- 2 rubber caps
- 2 hooks for rubber caps
- 2 small chains with loop

Accessories

Clasp with cap for DN 10



Material	Reference Number	Price
----------	------------------	-------

316L	5005146	125 €
------	---------	-------

consisting of

- 1 threaded connection 3/8"
- 1 cap with knob and sealing
- 1 small chain with loop

incl. welding and inner surface Ra 0,8 µm mechanic polished



Accessories for DN 10

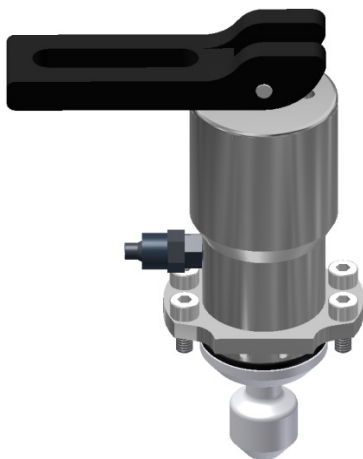
Manual drive with hand wheel



Material	Reference Number	Price
304/PTFE/ Silicone	5200033	190 €

Accessories for DN 10

Pneumatic actuator with self-closing lever



Material	Reference Number	Price
304/PTFE/ Silikon	5200032	290 €

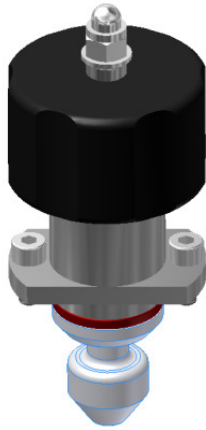


BioCheck Valves



Accessories for DN 6 and 8

Manual drive with hand wheel



Material	Reference Number	Price
304/PTFE/ Silicone	5200038	190 €

Accessories for DN 6 and 8

Pneumatic actuator with self-closing lever



Material	Reference Number	Price
304/PTFE/ Silicone	5200832	290 €



Accessories

Lever on Pneumatic Cylinder



Material	Reference Number	Price
PA 6	5005625	7,70 €
	for type "self closing" with fastening pin	
PA 6	5005631	8,50 €
	for type "open position" with fastening pin	



BioCheck Valves

