

Sprayer

for

Circular Sight glass fittings acc. to DIN 28121

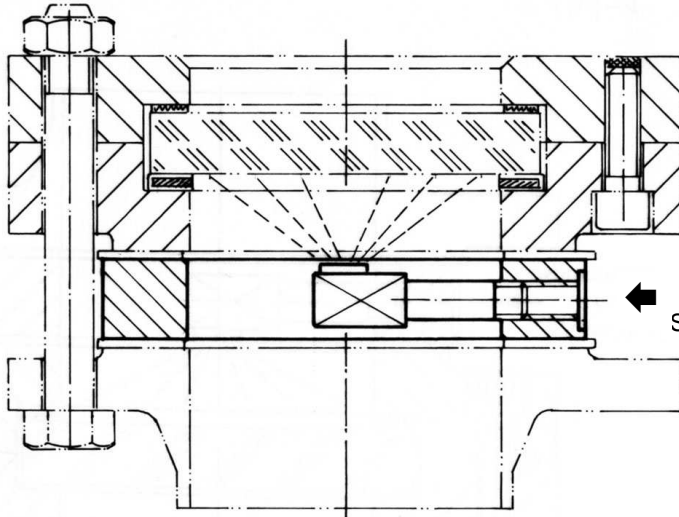
Bauform 121-I

Type A *with spacer*

Sight glass fittings acc. to DIN 28121 is at this unchanged. Afterwards fitting possible.

Spacer are completely with Sprayer available for

- all pipe diameter
- all nominal pressure
- all materials



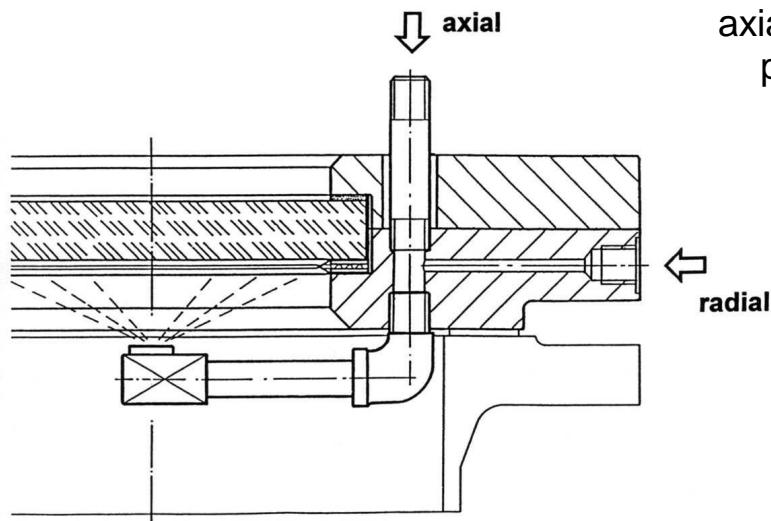
Connector for Spray-medium



Type B *Integrated in sight glass fitting*

Connection

axial or radial possible



Modifications reserved