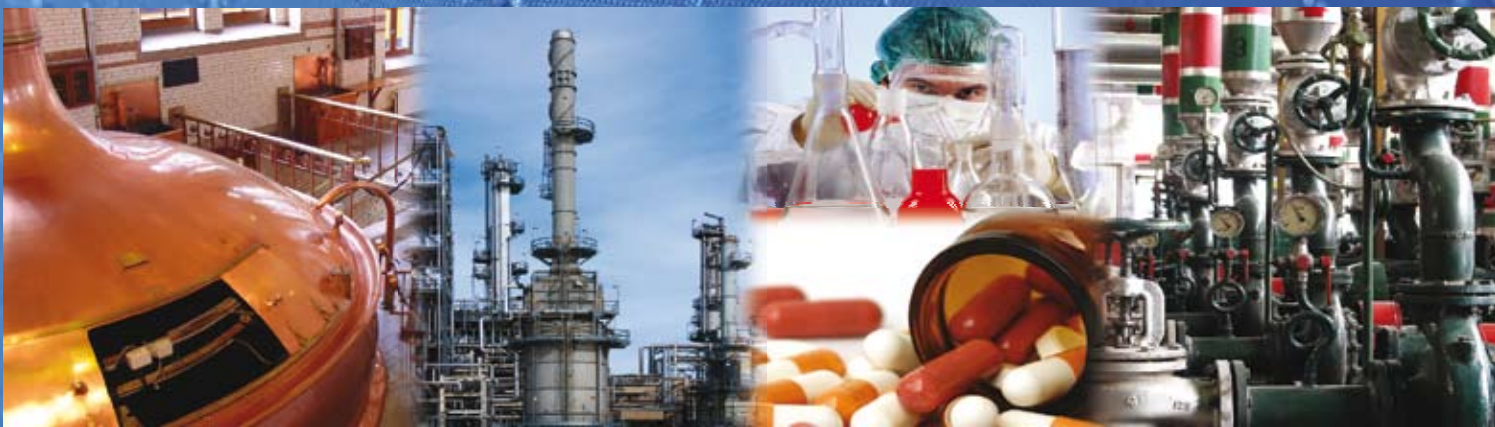




*flow & process solutions*



# Sight Glass Fittings, circular PN 2,5

to be **welded** directly to tank

Bauform 118

## Application:

For observation and lightning the inside of closed containers ( boilers, tanks, silos a.s.o )

## Operating conditions:

Working pressure: 2,5 bar

Working temperature: 150°C or 280°C

## Options:

Sight Glass wiper Bauform 190  
 Safety double Windows Bauform 126  
 Sight Glass light Fittings  
 With O-ring-sealing (for vacuum)  
 Special design acc. to customer

## Materials:

Base flange	RSt 37-2, H II, WN 1.4541, WN 1.4571
Cover flange	RSt 37-2, H II, WN 1.4541, WN 1.4571
Screws	5. 6 galv., A2-70, A4-70
Glass	Borosilicate glass acc. to DIN 7080 Soda lime glass acc. to DIN 8902
Gasket	asbestos free (or other materials)

## Certificate: ( Option )

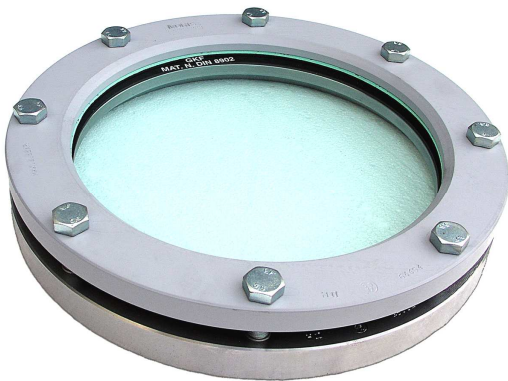
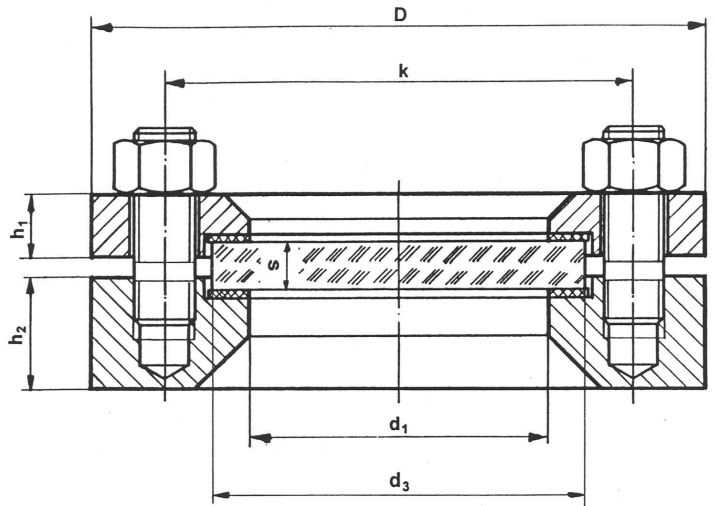
Acc. to EN 10204-3.1

## Delivery includes:

Complete fitting, consisting of base and cover flange, glass plate, sealings and screws

Following DIN 28120

For low pressure  
up to 2,5 bar



## Dimensions:

DN	d <sub>1</sub>	d <sub>3</sub>	s	D	k	h <sub>1</sub>	h <sub>2</sub>	Screws
50	80	100	10	150	125	12	24	4 x M12
80	100	125	15	175	150	14	24	4 x M12
100	125	150	15	200	175	14	24	4 x M12
125	150	175	15	220	195	16	24	8 x M12
150	175	200	15	250	220	16	24	8 x M12
200	225	250	19	300	275	16	24	8 x M12

Modification reserved

# Sight Glass Fittings, circular PN 6

to be **welded** directly to tank

Bauform 119

## Application:

For observation and lightning the inside of closed containers ( boilers, tanks, silos a.s.o )

## Operating conditions:

Working pressure: 6 bar  
Working temperature: 150°C or 280°C

## Options:

Sight glass wiper Bauform 190 + 195  
Spray washer Bauform 198  
Safety double windows Bauform 126  
Sight glass light fittings  
With O-ring-sealing (for vacuum)  
Special design acc. to customer

## Materials:

Base flange	RSt 37-2, H II, WN 1.4541, WN 1.4571
Cover flange	RSt 37-2, H II, WN 1.4541, WN 1.4571
Screws	5. 6 galv., A2-70, A4-70
Glass	Borosilicate glass acc. to DIN 7080 Soda lime glass acc. to DIN 8902
Gasket	asbestos free (or other materials )

## Certificate: ( Option )

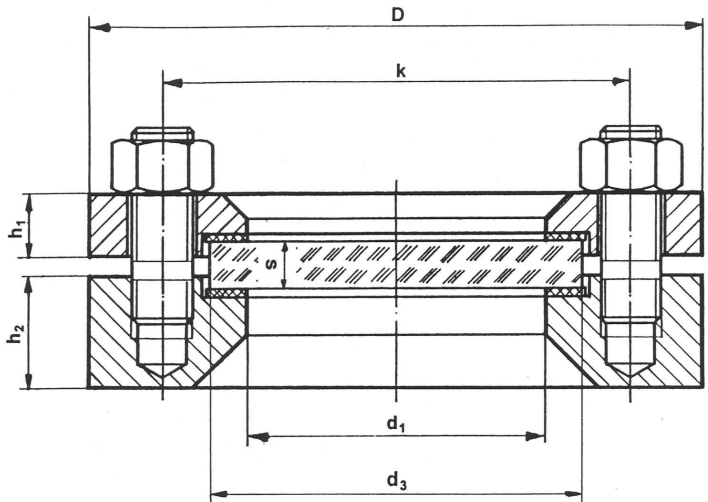
Acc. to EN 10204-2.2 or  
Acc. to EN 10204-3.1

## Delivery includes:

Complete fitting, consisting of base and cover flange, glass plate, sealings and screws

Following DIN 28120

For low pressure  
up to 6 bar



## Dimensions:

DN	d <sub>1</sub>	d <sub>3</sub>	s	D	k	h <sub>1</sub>	h <sub>2</sub>	Screws
50	80	100	15	165	125	16	30	4 x M 16
80	100	125	15	200	160	18	30	8 x M 16
100	125	150	15	220	180	18	30	8 x M 16
125	150	175	20	250	210	18	30	8 x M 16
150	175	200	20	285	240	18	36	8 x M 20
200	225	250	25	340	295	20	36	8 x M 20

Modification reserved

**Sight Glass Fittings, circular,**  
acc. to **DIN 28120**  
to be **welded** directly to tank

**Bauform 120**

**Application:**

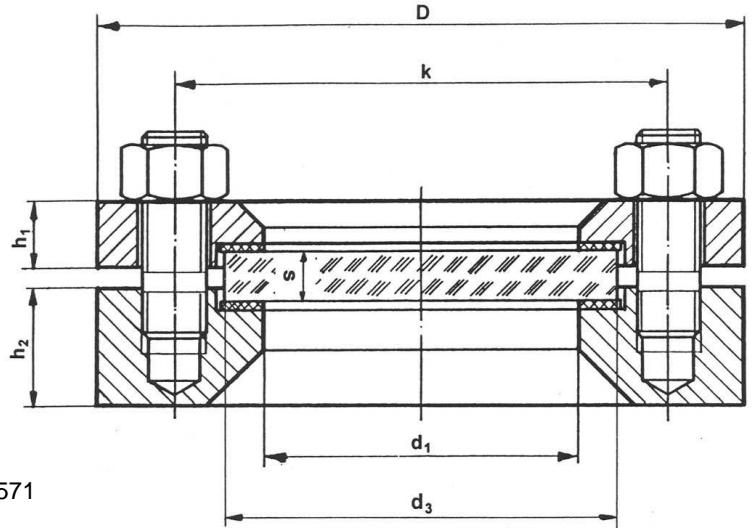
For observation and lightning the inside of closed containers  
( boilers, tanks, silos a.s.o )

**Operating conditions:**

Working pressure: 10 or 16 bar  
Working temperature: 150°C or 280°C

**Options:**

Sight Glass wiper Bauform 190 + 195  
Spray washer Bauform 198  
Safety double windows Bauform 126 + 120-D  
Sight glass light fittings  
Lined, Type B, acc. to DIN 28120  
With O-ring-sealing (for vacuum)  
Special design acc. to customer



**Materials:**

Base- and coverflange	RSt 37-2, H II, C 22.8, 1.4541, 1.4571 or on request
Glass	Soda lime glass acc. to DIN 8902 Borosilicate glass acc. to DIN 7080
Gaskets	Kingersil or on request
Screws/Nuts	Steel 5.6 gal. / A2-70 / A4-70

**Delivery includes:**

Complete fitting, consisting of base and cover flange, glass plate, gaskets and screws with nuts

**Certificate: ( Option )**

Acc. to EN 10204-2.2 or  
Acc. to EN 10204-3.1



**Dimensions:**

DN	PN	d <sub>1</sub>	d <sub>3</sub>	s	D	k	h <sub>1</sub>	h <sub>2</sub>	Screws
25	10	48	63	10	115	85	16	25	4 x M 12
	16								
40	10	65	80	12	150	110	16	30	4 x M 16
	16								
50	10	80	100	15	165	125	16	30	4 x M 16
	16								
80	10	100	125	15	200	160	20	30	8 x M 16
	16			20					
	25								
100	10	125	150	20	220	180	22	30	8 x M 16
	16			25					
	25								
125	10	150	175	20	250	210	25	30	8 x M 16
	16			25					
	25								
150	10	175	200	25	285	240	30	36	8 x M 20
	16			30					
	30								
200	10	225	250	30	340	295	35	36	8 x M 20

Modification reserved

# Manhole cover with sight glass

to be mounted similar to DIN 28120

( Hand hole, Inspection flange )

Bauform 1205

## Application:

By using the integrated sight glass you save a further hole in the vessel.

The fittings shows two functions: a) Compression res. Sight glass  
b) Man hole service opening etc.

## Operating conditions:

Working pressure: by agreement

Working temperature: 150°C or 280°C

## Options:

Base flanges to be welded

Safety seal-system acc. to DIN 28121

Wiper

Spray washer

Sight glass light fittings

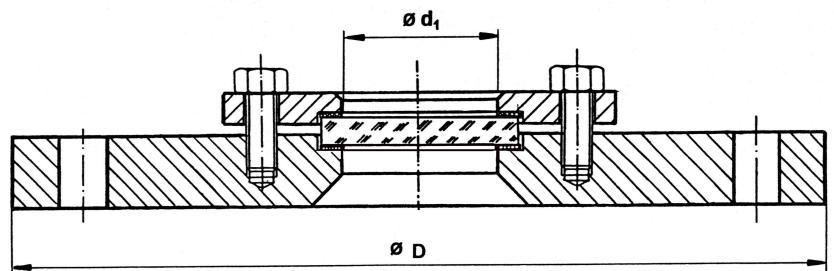
## Materials:

Base and cover flanges	Steel or Stainless steel
------------------------	--------------------------

Glass	Borosilicate glass DIN 7080 Soda-lime-Glas DIN 8902
-------	--

## Dimensions:

DN 150 to DN 800

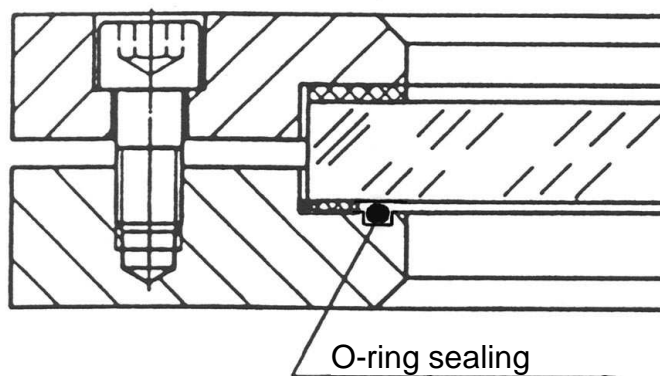


Modifications reserved

## Upgrading for round sight fittings

Various

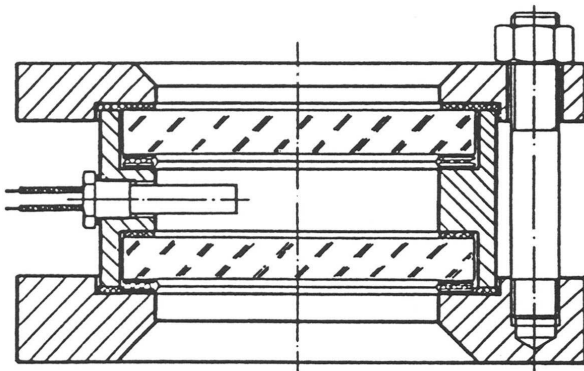
### Vacuumsealing with O-ring



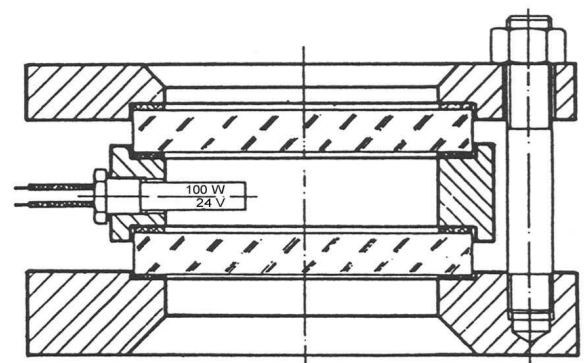
**Bauform 120-V**  
( O-ring sealing )

**O-ring-sealing** is suitable for vacuum mode  
o-ring sealing is also available for the round  
sight glasses Bauform 120 and 121,  
also for the flow indicators Bauform 880-887

### Double-vitrification with heating system for anti steamy



**Bauform 120-D-HZ**  
(Safe- double-vitrification )



**Bauform 126-D-HZ**  
(Simple - double-vitrification)

The integrated heating coil avoids the condensation of humidity at the outer glass plate.

You can also avoid heat loss.

The dimensions of the flanges correspond to DIN 28120 (Bauform 120).

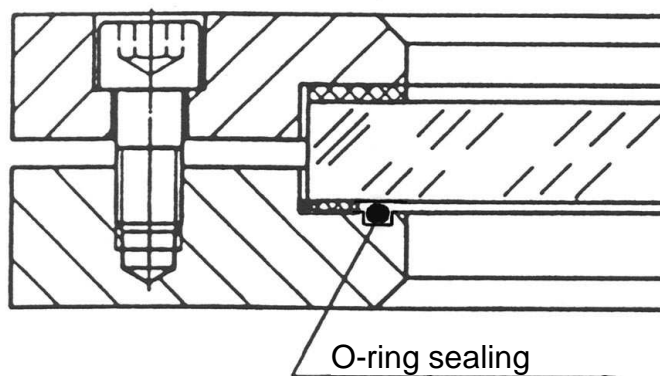
Available all pipe diameter, nominal pressure and all materials.

Modifications reserved

## Upgrading for round sight fittings

Various

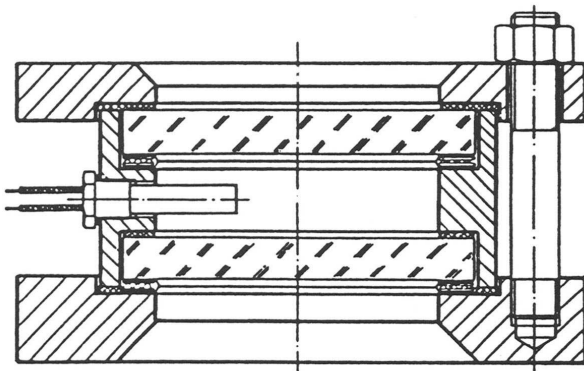
### Vacuumsealing with O-ring



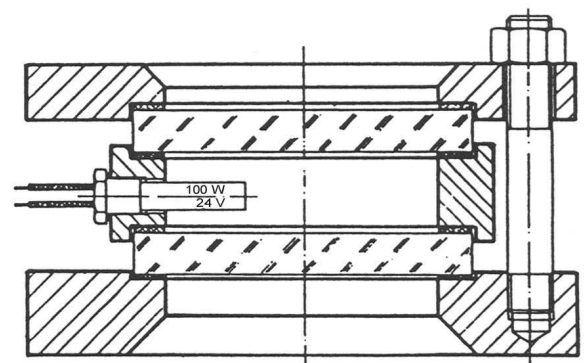
**Bauform 120-V**  
( O-ring sealing )

**O-ring-sealing** is suitable for vacuum mode  
o-ring sealing is also available for the round  
sight glasses Bauform 120 and 121,  
also for the flow indicators Bauform 880-887

### Double-vitrification with heating system for anti steamy



**Bauform 120-D-HZ**  
(Safe- double-vitrification )



**Bauform 126-D-HZ**  
(Simple - double-vitrification)

The integrated heating coil avoids the condensation of humidity at the outer glass plate.

You can also avoid heat loss.

The dimensions of the flanges correspond to DIN 28120 (Bauform 120).

Available all pipe diameter, nominal pressure and all materials.

Modifications reserved

**Sight Glass Fittings, circular,**  
acc. to **DIN 28121**  
to be **mounted** to existing **DIN-flanges**

**Bauform 121**

**Application:**

For observation and lightning the inside of closed containers ( boilers, tanks, silos a.s.o ). Fitting will be delivered totally mounted and must only be screwed on an existent flange.

**Operating conditions:**

Working pressure: 10 bar or 25 bar  
Working temperature: 200°C

**Options:**

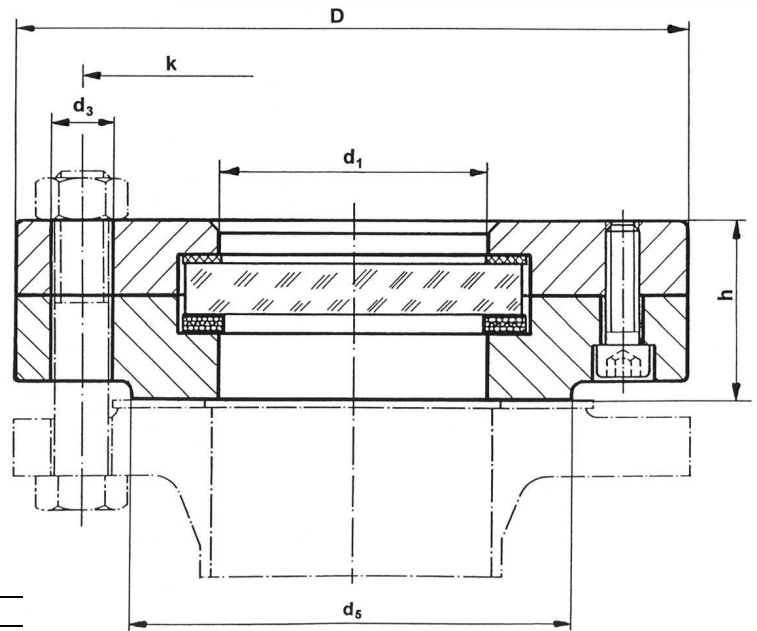
Flanges with groove or tongue a.s.o.  
Special design for more then 200°C  
bigger sizes ( DN 250 a.s.o. )  
Safety double windows  
Sight glass light fittings  
Base-flange lined  
acc. to ANSI-connection

**Materials:**

Base and Cover flanges	Steel / Stainless Steel 1.4571 or other materials
Glass	Borosilicate glass acc. to DIN 7080
Gasket	PTFE enveloped gasket (up to 200°C )

**Certificate: ( Option )**

Acc. to EN 10204-2.2 or  
Acc. to EN 10204-3.1



**Dimensions**

DN	bar	D	d <sub>1</sub>	d <sub>5</sub>	h	k	d <sub>3</sub>
40	10	150	48	88	36	110	4 x Ø 18
	25				38		
50	10	165	65	102	38	125	4 x Ø 18
	25				41		
80	10	200	80	138	46	160	8 x Ø 18
	25				50		
100	10	220	100	158	46	180	8 x Ø 18
	25	235		162	59	190	8 x Ø 22
125	10	250	125	188	54	210	8 x Ø 18
	25	270		66	220	8 x Ø 26	
150	10	285	125	212	54	240	8 x Ø 22
	25	300		218	66	250	8 x Ø 26
200	10	340	150	268	54	295	8 x Ø 22
	25	360		278	66	310	12 x Ø 26

Modification reserved

# Sight Glass Fittings, circular

similar to **DIN 28121**

to be **mounted** to existing **ANSI** flanges 150 LBS

**Bauform 121-A**

## Application:

For observation and lightning the inside of closed containers ( boilers, tanks, silos a.s.o ). Fitting will be delivered totally mounted and must only be screwed on an existent flange.

**ANSI - Design**

## Operating conditions:

Working pressure: 10 bar  
Working temperature: 200°C

## Options:

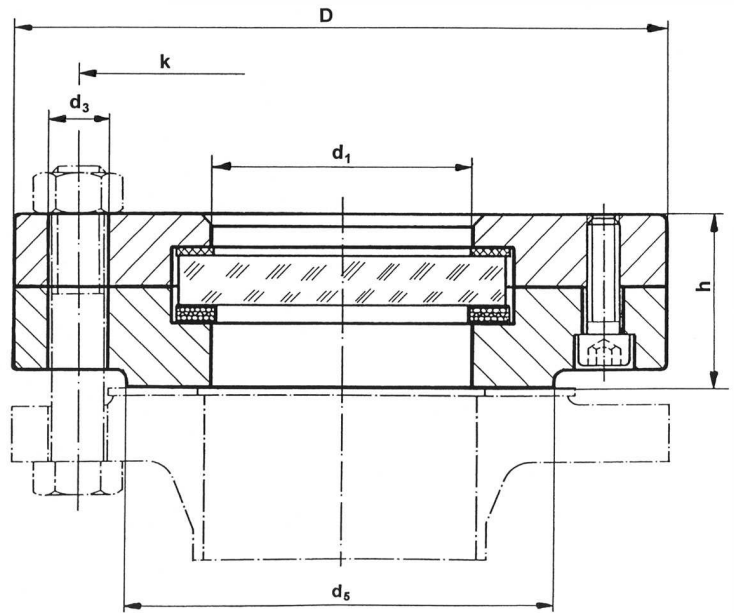
Special design for more than 200°C  
Higher pressures  
300 or 600 lbs  
Safety double windows  
Sight glass light fittings  
Base-flange lined

## Materials:

Base and Cover flanges	Steel / Stainless Steel 1.4571 or different materials
Glass	Borosilicate glass acc. to DIN 7080
Gasket	PTFE enveloped gasket (up to 200°C )

## Certificate: ( Option )

Acc. to EN 10204-2.2 or  
Acc. to EN 10204-3.1



## Dimension

ANSI	bar	D	d <sub>1</sub>	d <sub>5</sub>	k	h	d <sub>3</sub>
1 1/2"	10	127,0	48	73,0	88,9	36	4 x Ø 16
2"	10	152,4	65	92,1	120,6	38	4 x Ø 19
3"	10	190,5	80	127,0	152,4	46	4 x Ø 19
4"	10	228,6	100	157,2	190,5	46	8 x Ø 19
5"	10	254,0	125	185,7	215,9	54	8 x Ø 22,2
6"	10	279,4	125	215,9	241,3	54	8 x Ø 22,2
8"	10	342,9	150	269,7	298,5	54	8 x Ø 22,2

Modification reserved

# Sight Glass Fittings acc. to DIN 28121

to be *mounted* to existing DIN-flanges  
with **Safety** double windows

Bauform 121-D

## Application:

NORIS-Sight glasses acc. to DIN 28121 are equipped with a double glass system. Every single glass plate resists the design pressure, so in case of failure of one plate the other plate will stay the complete system pressure without leakage and guarantees the function of the system. Sealing is realised by a O-ring system between the flanges.

## Operating conditions:

Working pressure: 10 bar or 25 bar  
Working temperature: 200°C or 150°C

## Option:

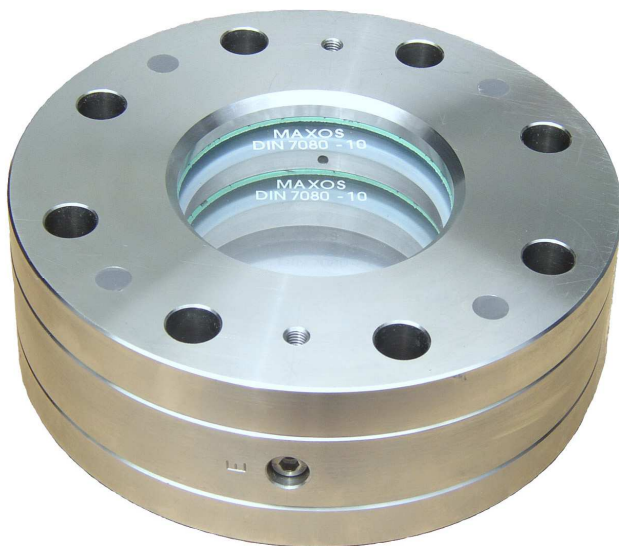
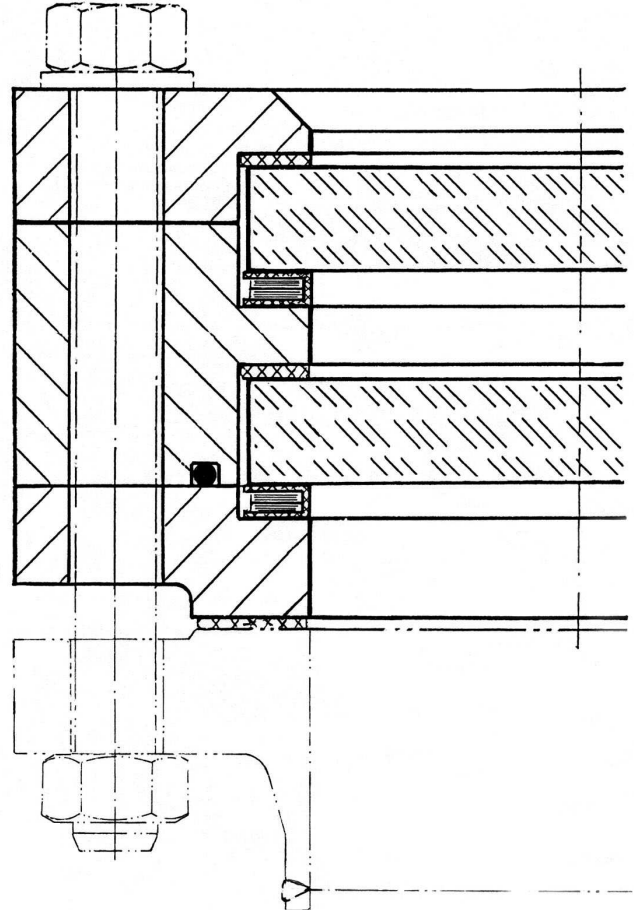
Flanges can be supplied with special facings  
Heating unit against fog  
Base-flange lined  
Special design for more then 200°C  
Sight glass light fittings  
ANSI-connection

## Materials and Dimensions:

see our datasheet Bauform 121

## Certificate: ( Option )

Acc. to EN 10204-2.2 or  
Acc. to EN 10204-3.1



Modifications reserved

# Sight glass fittings circular

acc. to DIN 28121 special construction

for temperatures **higher than 200°C** or **Vacuum**

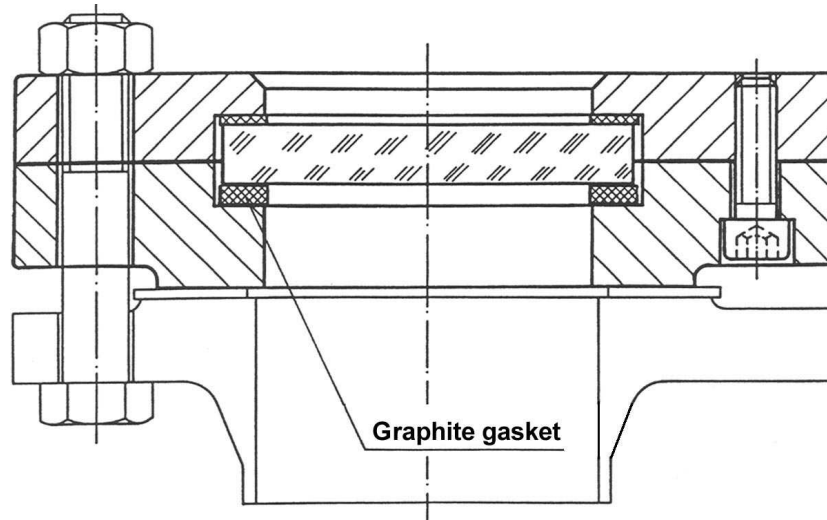
Bauform 121-H

## Version I.) Graphite gasket for temperatures higher than 200°C

Borosilicate glass up to max. 280°C.

Quartz glass up to 1000°C

Dimension acc. to DIN 28121



Standard type acc. To DIN 28121 is limited for 200°C.

For higher temperatures we offer same type with pure graphite sealings.

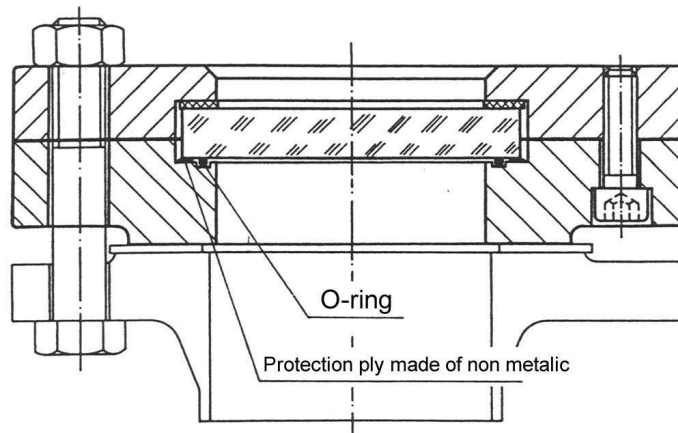
- Available:
- all pipe diameter
  - all nominal pressure
  - all materials

Bauform 121-V

## Version II.) O-Ring-gasket for Vacuum

Borosilicate glass up to max. 280°C.

Suitable for higher vacuum



Modifications reserved

# Sprayer

for

Circular Sight glass fittings acc. to DIN 28121

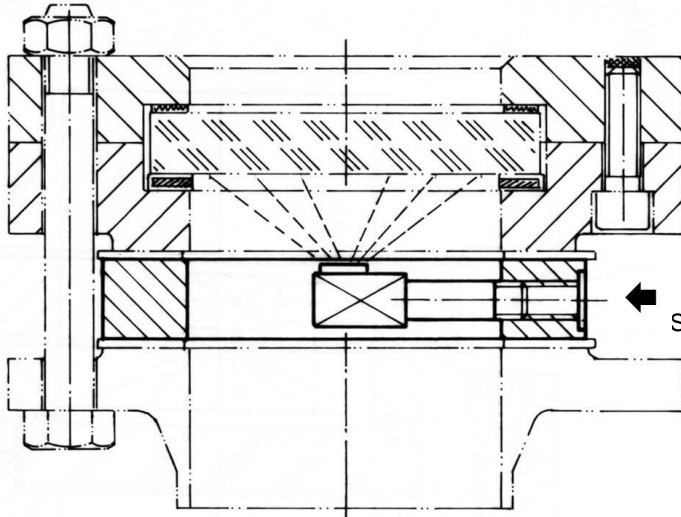
Bauform 121-I

## Type A *with spacer*

Sight glass fittings acc. to DIN 28121 is at this unchanged. Afterwards fitting possible.

Spacer are completely with Sprayer available for

- all pipe diameter
- all nominal pressure
- all materials



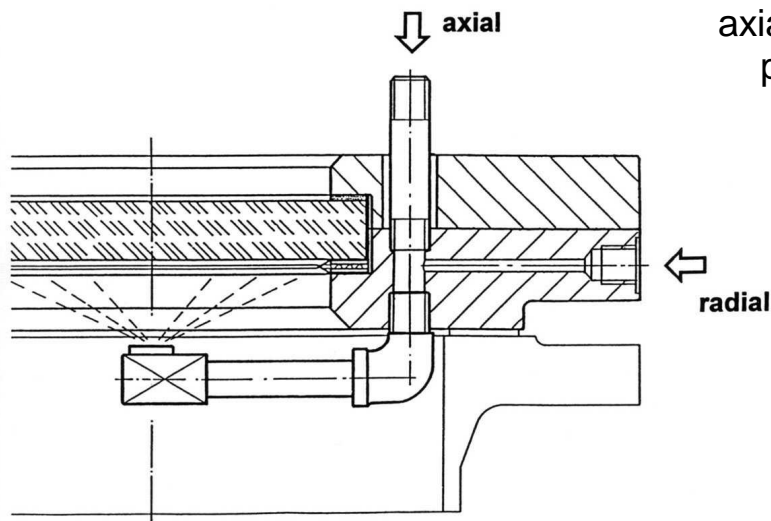
Connector for Spray-medium



## Type B *Integrated in sight glass fitting*

### Connection

axial or radial possible



Modifications reserved

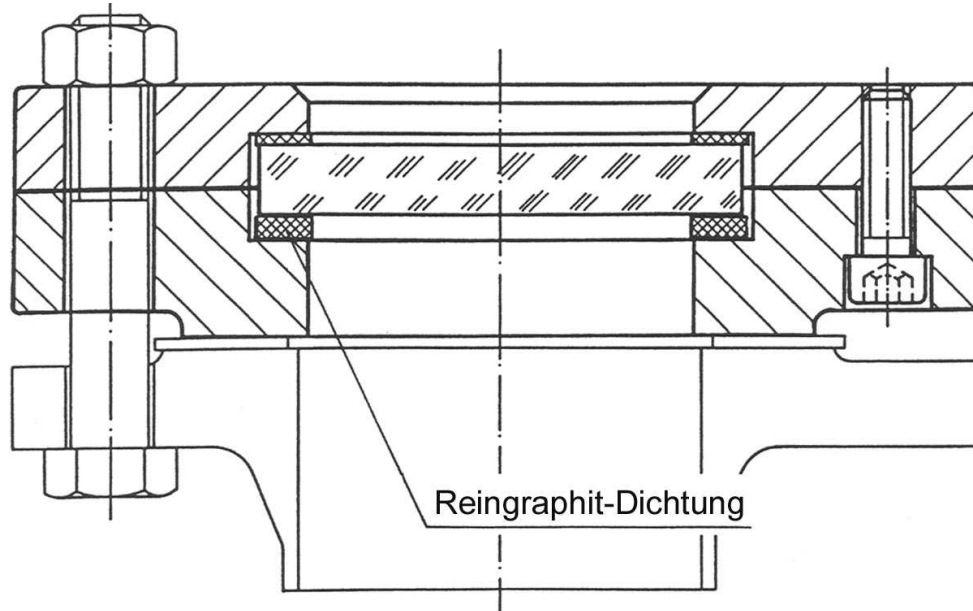
# Runde Schauglasarmatur

ähnlich DIN 28121 Sonderausführungen  
für Temperaturen **über 200°C** oder **Vakuum**

Bauform 121-H

## Version I.) Reingraphitdichtung für Temperaturen über 200°C

Bei Borosilikatglas max. 280°C.  
Bei Quarzglas bis 1000°C  
Abmaße nach DIN 28121



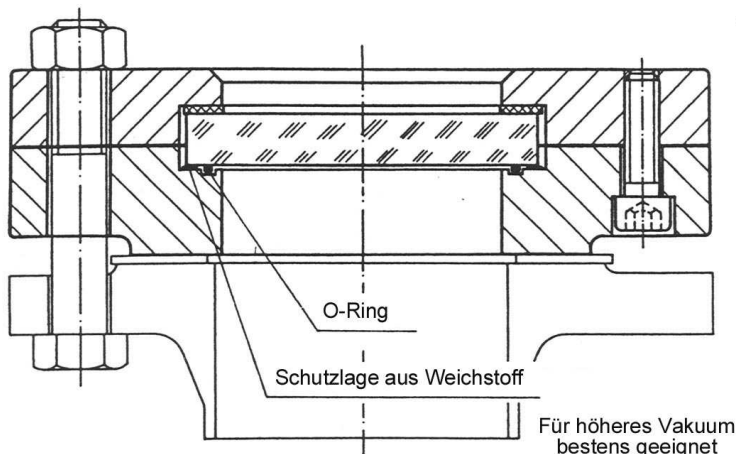
Die bestens bewährte Ausführung nach DIN 28121 ist auf Grund des Dichtungswerkstoffes PTFE auf eine Betriebstemperatur von max. 200°C beschränkt. Um alle bekannten Vorteile der Ausführung nach DIN 28121 auch bei höheren Temperaturen zu gewährleisten, wurden diese Versionen entwickelt.

Lieferbar - alle Nennweiten  
- alle Nenndrücke bis PN 40  
- alle Werkstoffe

Bauform 121-V

## Version II.) O-Ring-Dichtung für Vakuum

mit Borosilikatglas bis max. 280°C.



Änderungen vorbehalten

## Circular sight glass fittings acc. to DIN 28121

with **Wiper** to be mounted of existent flanges

Bauform 121-W

### Application:

The sight glass fittings complies DIN 28121 respectively NORIS Bauform 121.

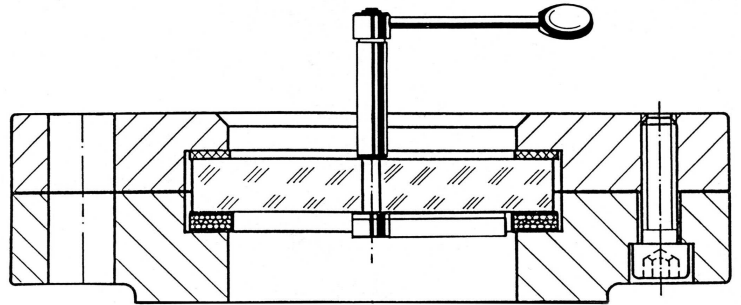
For internal cleaning a wiper completely acc. to Bauform 190 is mounted

Two types of blades are available:

- a) Silikone up to 180°C, for liquid medias
- b) PTFE up to 200°C, for solid medias

Standard wiper is a one armed tape

Double armed wipers also available



**Available sizes:** DN 40 up to DN 200

max. permissible working pressure by agreements

Dimensions of NORIS-fittings see our Bauform 121

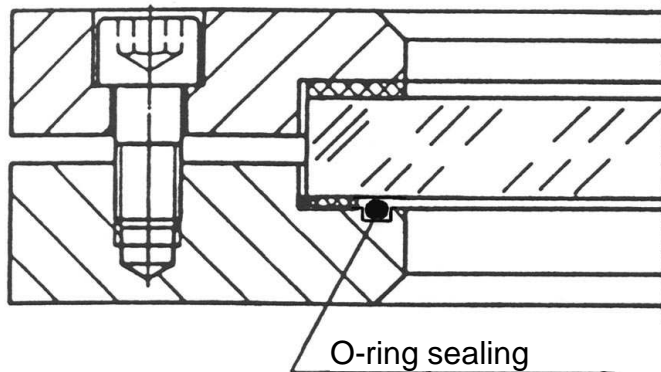


Modifications reserved

# Upgrading for round sight fittings

Various

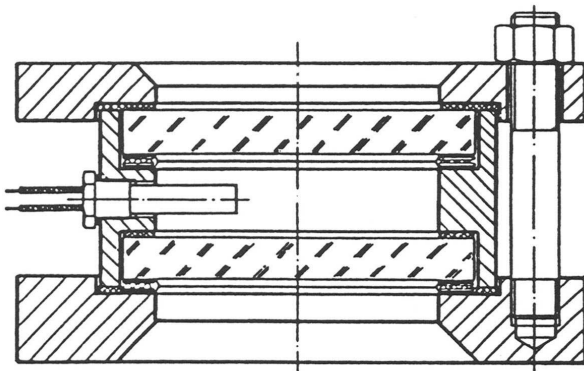
## Vacuumsealing with O-ring



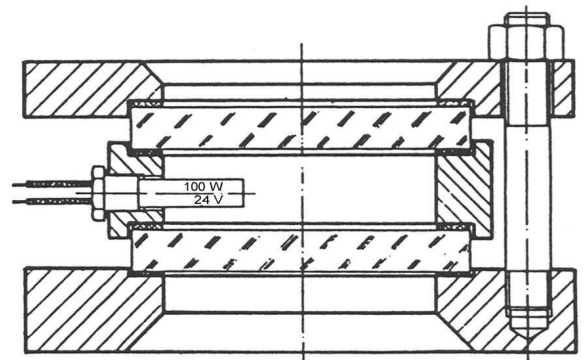
**Bauform 120-V**  
( O-ring sealing )

**O-ring-sealing** is suitable for vacuum mode  
o-ring sealing is also available for the round  
sight glasses Bauform 120 and 121,  
also for the flow indicators Bauform 880-887

## Double-vitrification with heating system for anti steamy



**Bauform 120-D-HZ**  
(Safe- double-vitrification )



**Bauform 126-D-HZ**  
(Simple - double-vitrification)

The integrated heating coil avoids the condensation of humidity at the outer glass plate.

You can also avoid heat loss.

The dimensions of the flanges correspond to DIN 28120 (Bauform 120).

Available all pipe diameter, nominal pressure and all materials.

Modifications reserved

# Screwed sight glass fitting

(screwed pipe connections similar. to DIN 11851)

Bauform 127

## Application:

Sight port for viewing into vessels, containers and pipelines. Particularly suitable for creameries, food, breweries, beverage industry, pharmaceutical- and medical technology.

## Operating conditions:

Working pressure: 6 bar  
Working temperature: 220°C  
Vacuum

## Options:

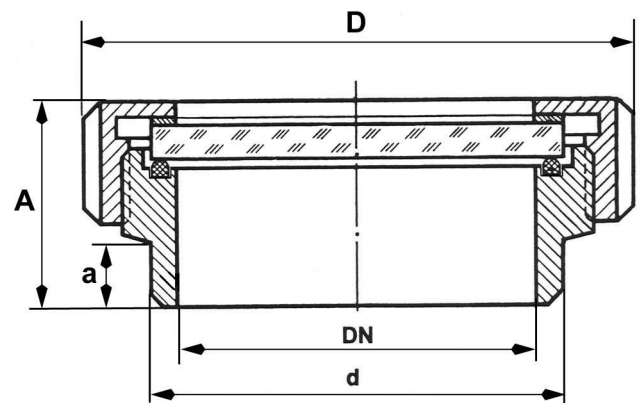
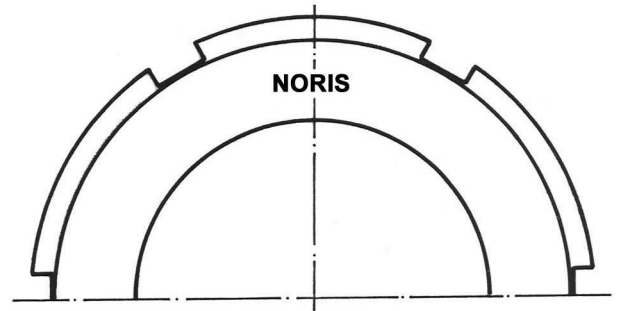
Light fittings  
Wiper  
Higher pressure

## Materials:

Butt weld pipe end	WN 1.4404 or 1.4301
Slotted cover nut	WN 1.4301
Glass	Borosilicate glass DIN 7080 Soda lime glass DIN 8902
Gasket	Silicone / Viton / EPDM / PTFE
Protection ply	Asbestos free

## Ordering example:

Screwed sight glass fitting NORIS Bauform 127  
WN 1.4301; Borosilicate glass;  
Gasket silicone  
DN 50



## Dimensions

DN	a	A	d	D
50	18	46	55	92
65	22	49	72	112
80	23	54	87	127
100	32	65	106	148
125	20	60	132	178

Modifications reserved

# Wiper System

for sight flow indicator acc. to DIN 28120  
and NORIS Bauform 118, 120 und 880

Bauform 190

## Application:

NORIS wiper system is used to keep glass plates free of crystallized mediums, dust and dirt sediments. The wiper system can be built in NORIS Bauform 118, 120 and 880.

## Operating conditions:

Working temperature: max. by borosilicate glass  
180°C with wiper blade in silicone  
200°C with wiper blade in PTFE  
Operating under vacuum is possible

## Option:

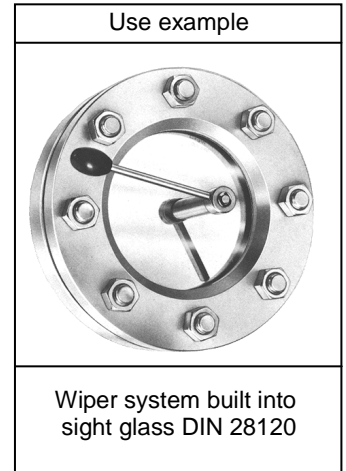
Double armed wiper, swinging bleared, with stable drover

## Materials:

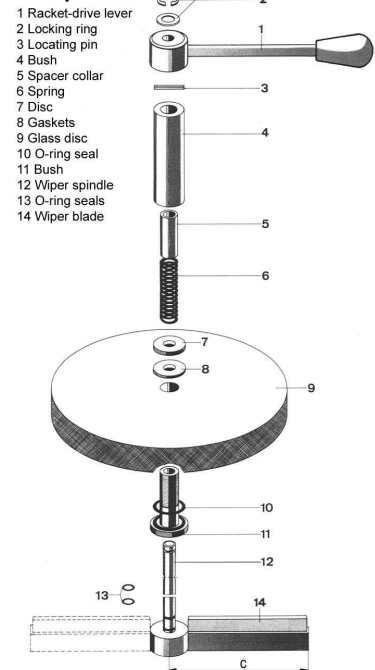
Wiper blade	PTFE or silicone
Wiper mechanism	WN 1.4571 (medium touched parts)
Glass	Borosilicate glass DIN 7080 Soda lima glass DIN 8902 (max.150°C)
Gaskets	Viton or Silicone for Wiper mechanism

## Possible combinations:

Our wiper system can be combined with  
1. Sight glass light fittings of different production series  
2. NORIS spray device Bauform 198



## Components



## Dimensions for sight glass acc. DIN 28120:

DN	Glass plates (mm)	Wiper blade lengths (mm)	C (mm)	Working pressure max. (bar)
50	100 x 15	26	38	7
80	125 x 15/19	36	48	4 / 8
100	150 x 15/19	48	60	3 / 6
125	175 x 15/19	61	73	2 / 5
150	200 x 15/19	73	85	1 / 4
200	250 x 15/19	98	110	1 / 2

Modifications reserved

# Window wiper for sideward mounting for pressure tight up to 16 bar

Bauform 195

## Application:

Additionally to our Bauform 190 we offer the sideward used Bauform 195. He is very useful for cleaning the inside surfaces of sight glasses mounted in pressure or vacuum vessels.

## Operating conditions:

1. Pressure tight up to 16 bar / 200°C
2. Solid for vacuum
3. Temperature range depends on material of glass and wiper blades

## Installation:

We use pressure and vacuum sealed parts for the pass through parts.  
We realise from DN 100 – DN 200.

## Materials:

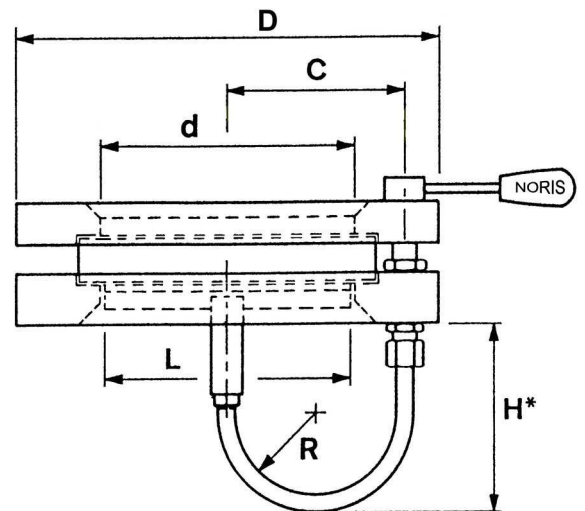
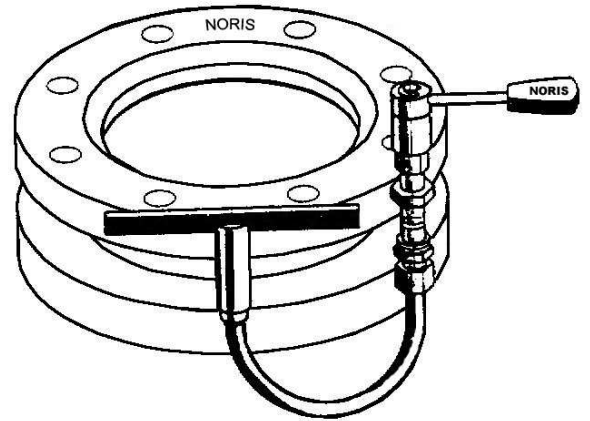
Wiper blade	PTFE or Silicon
Wiper mechanism	WN 1.4571 (medium touched parts)

## Possible combinations:

- NORIS-wiper system can be combined with
1. Sight glass light fittings of different production series
  2. NORIS-spray device Bauform 198

## Available:

Complete sight glass with mounted wiper or:  
Kit for fix up existing sight glasses.



## Dimension:

DN	d	D	C	R	H max.	L
100	125	220	93	36,5	110	120
125	150	250	105	42,5	110	148
150	175	285	120	50	130	172
200	225	340	147,5	64	130	222

Modifications reserved

# Sprayer

For inside - cleaning the glass top

Bauform 198

## Application:

The Sprayer is suitable for internal cleaning of the glasses, it's not necessary to develop the glass.

## Materials:

Sprayer and pipe: WN 1.4571 / 1.4404

## Insert in:

Round Sight glass fitting acc. to DIN 28120  
see NORIS Bauform 120

Round Sight glass fitting acc. to DIN 28121  
see NORIS Bauform 121-I

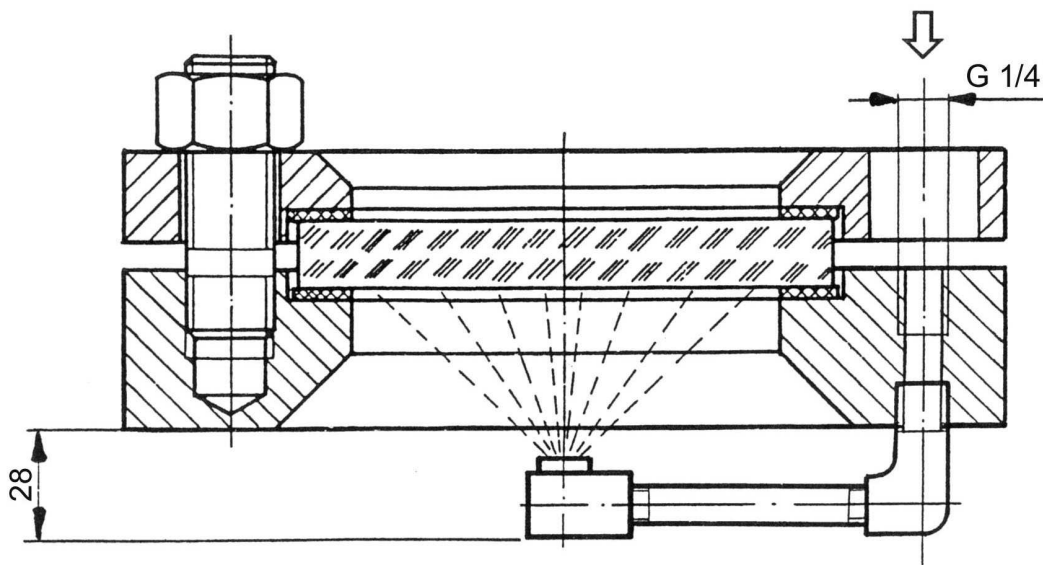
Sight flow indicator see NORIS Bauform 880-I

## Information:

The Sprayer will be mounted by ourself during the assembly



## Connector for Sprayer



Modifications reserved

# Sight Glass Fittings Rectangular

to be welded directly to tank

Bauform 220

## Application:

To show surface of a liquid, for insertion into attachments to tanks, vessels and silos.

## Operating conditions:

Temperature : 243°C ( Saturated steam or hot water in direct contact )  
 Pressure: 16 bar

## Option:

are available on request

## Materials:

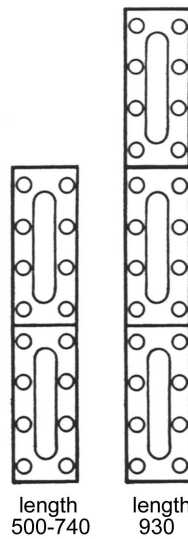
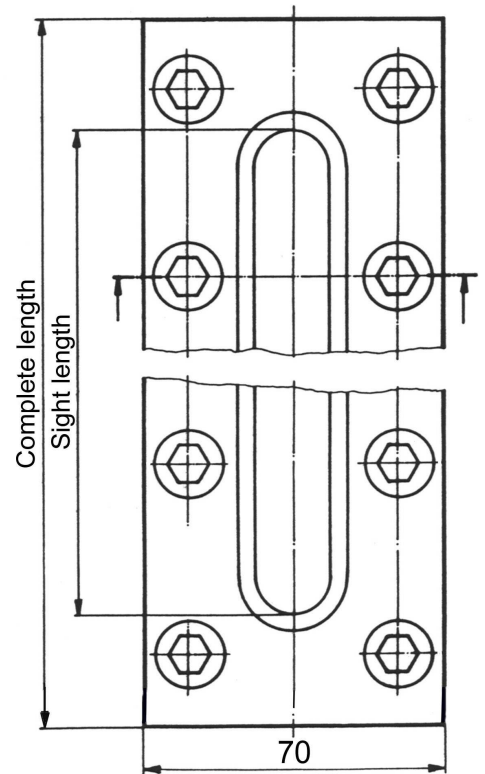
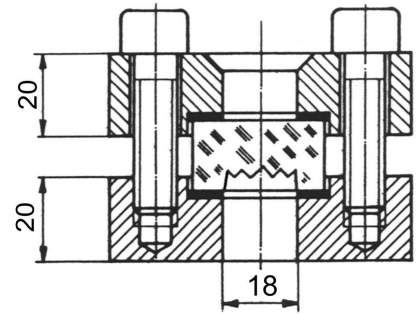
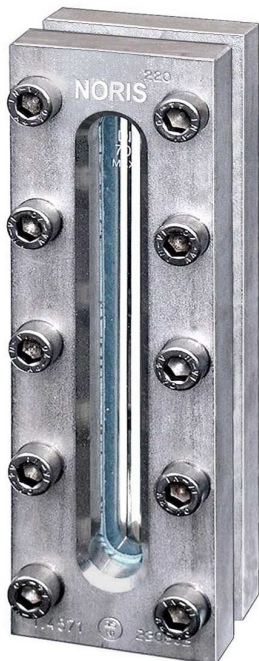
Welding pad	WN 1.4571	WN 1.4571	RSt 37-2
Cover	WN 1.4571	RSt 37-2	RSt 37-2
Screws	A4-70	8.8 vz	8.8 vz
Glass	Borosilicate glass DIN 7081, reflex		
Gaskets	Asbestos free ( or other materials )		

**Mounting instruction:** After welding please examine if sealing area is plane. Otherwise re-machining is necessary.

**Caution:** Before putting the fitting into operation, the strength of the cutout reinforcement in combination with the vessel wall should be checked in accordance with TÜV leaflet B9 ( AD Merkblatt B 9 )

## Example for an order:

Sight Glass Fitting Rectangular Bauform 220  
 Welding pad WN 1.4571; Cover RSt 37-2  
 370 x 70 mm



## Dimensions:

Complete length*	170	220	250	310	370	500	620	740	930
Sight length	120	170	200	260	320	450	570	690	880
Sight interrupted						50	50	50	2 x 50
Number of screws	8	10	12	14	16	24	28	32	42

\* By length 500 to 740mm there are 2 glasses / by length 930mm there are 3 glasses

Modification reserved

# Sight Glass Fittings Obround

to be **welded** directly to tank

Bauform 225

## Application:

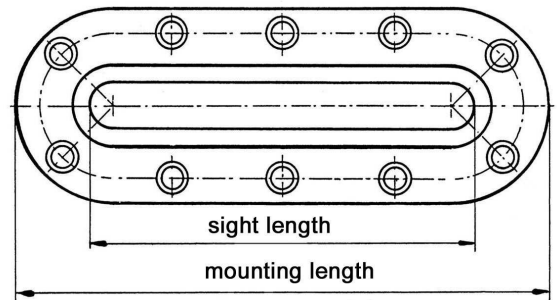
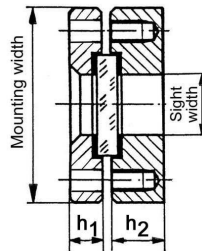
To show surface of a liquid, for insertion into attachment to tanks, vessels and silos.

## Operating conditions:

Temperature : 100°C or 280°C  
Pressure: 3 / 6 / 25 bar

## Materials:

Body	WN 1.4571	RSt 37-2 / H II
Cover	WN 1.4571	RSt 37-2 / H II
Screws	A4-70	8.8 vz
Glass	Borosilicate glass acc. to DIN 7081 Soda lime glass acc. to DIN 8903	
Gaskets	Asbestos free ( or other materials )	



## Mounting instruction:

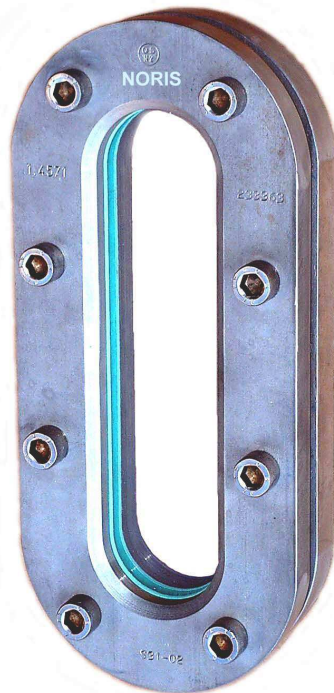
After welding please examine if sealing area is plane. Otherwise re-machining is necessary.

## Caution:

Before putting the fitting into operation, the strength of the cutout reinforcement in combination with the vessel wall should be checked in accordance with TÜV leaflet B9 ( AD Merkblatt B 9 )

## Example for an order:

Sight glass fittings, obround Bauform 225  
Body WN 1.4571  
Cover RSt 37-2  
Borosilicate glass – 3 bar  
410 x 120 mm



## Pressure 3 bar, Visual 50 mm

Mounting dim. Length x Width	Sight dim. Length x Width	Strength	
		h1	h2
270 x 120	200 x 50	15	25
340 x 120	270 x 50	15	25
410 x 120	340 x 50	15	25
480 x 120	410 x 50	15	25
550 x 120	480 x 50	15	25
620 x 120	550 x 50	15	25
690 x 120	620 x 50	15	25
760 x 120	690 x 50	15	25

## Pressure 6 bar, Visual 30 mm

Mounting dim. Length x Width	Sight dim. Length x Width	Strength	
		h1	h2
250 x 100	180 x 30	15	25
310 x 100	240 x 30	15	25
370 x 100	300 x 30	15	25
430 x 100	360 x 30	15	25
490 x 100	420 x 30	15	25
550 x 100	480 x 30	15	25
610 x 100	540 x 30	15	25
670 x 100	600 x 30	15	25

## Pressure 25 bar, Visual 20 mm

Mounting dim. Length x Width	Sight dim. Length x Width	Strength	
		h1	h2
176 x 70	126 x 20	20	25
226 x 70	176 x 20	20	25
256 x 70	206 x 20	20	25
316 x 70	266 x 20	20	25
376 x 70	326 x 20	20	25
436 x 70	386 x 20	20	25
496 x 70	446 x 20	20	25
536 x 70	486 x 20	20	25

Modification reserved

# Welded – Sight glass valves

with weld-neck flanges

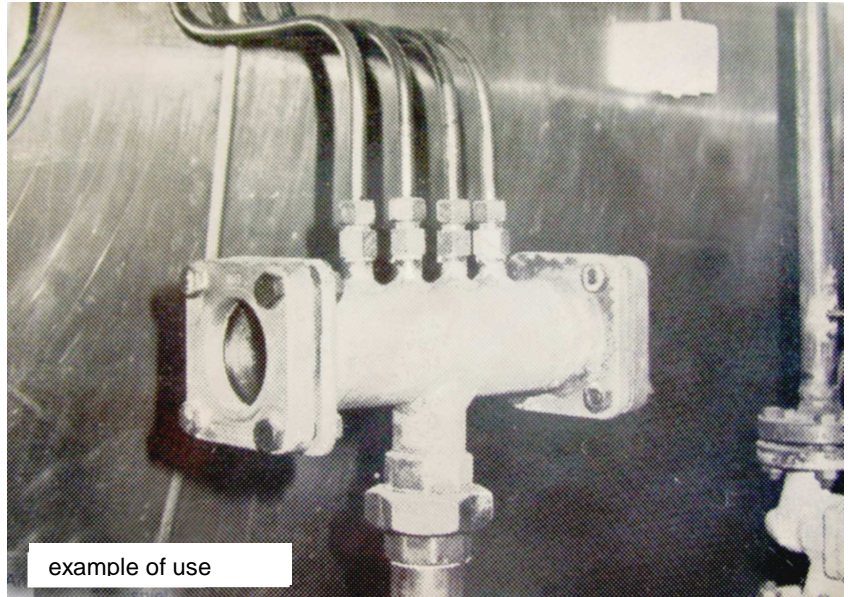
Bauform 230

## Application:

These glasses are suitable for weld-in situations. For example in tanks, pipes and vessels. They are working with fluids also with gas. Especially for one-off designs.

## Options:

all pipe diameter  
all nominal pressure  
all materials



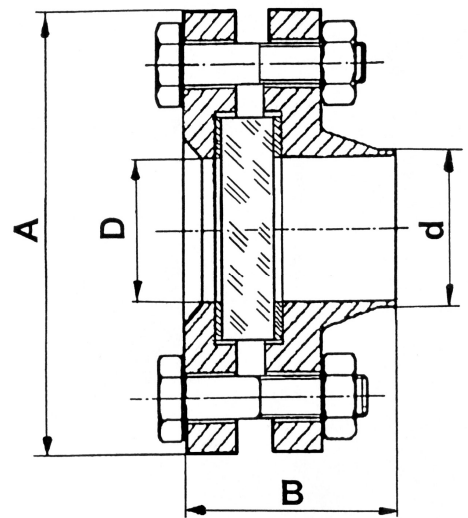
example of use

## Materials:

Butt weld pipe ends	WN 1.4571/1.4541 or C-Steel
Cover	WN 1.4571/1.4541 or C-Steel
Glass	Borosilicate glass DIN 7080 Soda lime glass DIN 8902
Gaskets	non asbestos ( or other materials )

## Ordering example:

Sight flow fittings Bauform 230  
WN 1.4571  
Borosilicate glass DIN 7080-16 bar  
DN 50



## Dimension:

Visibility $\varnothing$ D = Size DN	A	B	d
40	150	63	48,3
50	165	70	60,3
65	185	70	76,1
80	200	74	88,9
100	220	83	114,3
125	250	88	139,7
150	285	94	168,3
200	340	107	219,1

Modifications reserved

# Sight glass valves

with male threaded connection

Bauform 232

## Application:

These glasses are suitable for screw in situations.  
For example in tanks, pipes and vessels.  
They are working with fluids also with gas.  
Especially for one-off designs.

## Operating conditions:

Working pressure : up to 40 bar  
Working temperature: 150°C or 280°C

## Installation:

Optional

## Connections:

Male threaded: G (BSP)

## Materials:

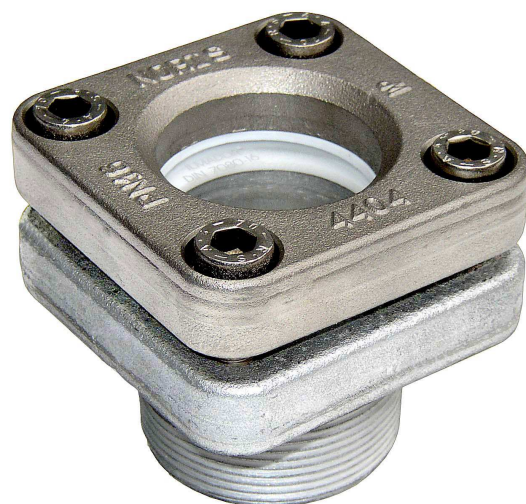
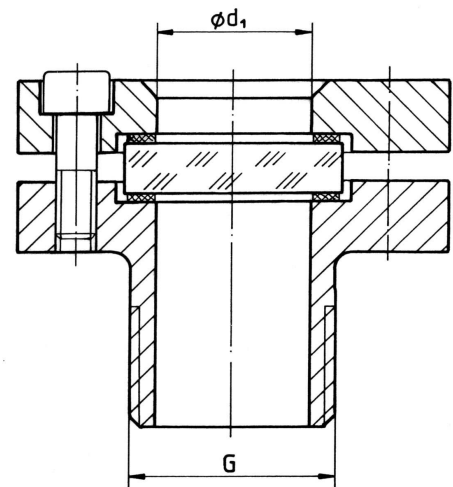
Body	Steel or Stainless steel
Glass	Borosilicate glass acc. to DIN 7080 Soda lime glass acc. to DIN 8902

## Selection criteria:

Thread diameter  
Working pressure  
Working temperature  
Body materials  
Glass

## Ordering example:

Sight flow valves Bauform 232  
WN 1.4571  
Borosilicate glass DIN 7080-16 bar  
G 1"



Modifications reserved

# Light fittings

for Sight glass valves

Light fittings

## Application:

By using lights, the controlling will be easier.  
You can observe the Media very well.  
Wrong process information will be improbable.

## Execution:

Light fittings for all pipe diameters, nominal pressure and materials acc. to DIN 28120 and DIN 28121.

Various supply voltage

Various luminous

For hazardous areas

For safe areas

Light fittings from stainless steel

## Information:

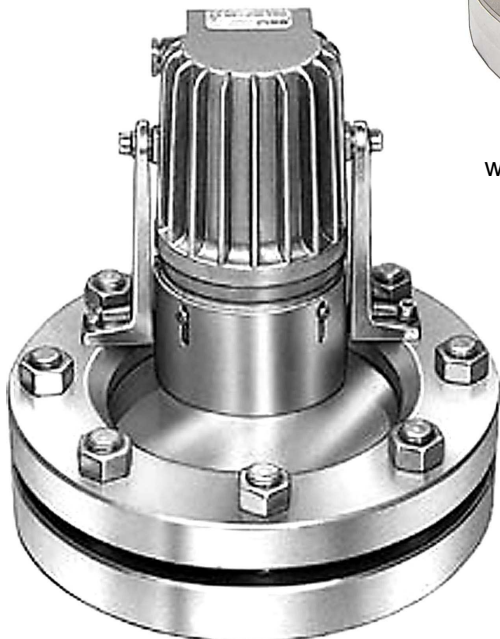
The light houses will be mounted by us during the assembling



with half light fittings Type HL and wiper Bauform 190



with small light fittings Type BKLVLR



with EX- light fittings Type KEL / PEL



with EX-light fittings Type 100

Modifications reserved

# Protective fence

for stroke protection

Protective fence

## Application:

The protective fence is to protect the glass plate against damage from outside.

## Option:

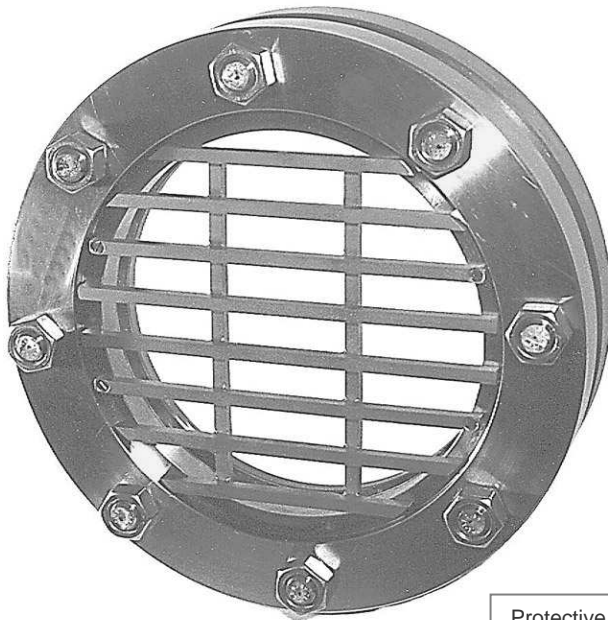
Construction according to agreement.  
There are different models available.  
For sight flow indicators with flange connection there is a protective fence available for Bauform 880 up to Bauform 887.

## Material:

Stainless steel and Steel



Protective fence on a sight flow indicator NORIS Bauform 880



Protective fence on a round sight flow indicator acc. to DIN 28120 NORIS Bauform 120

Modification reserved



**REGOM INSTRUMENTS s.r.o.**

Brabcova 1159 / 2

147 00 Praha 4

CZECH REPUBLIC

Tel: +420 241 402 206

Fax: +420 241 400 290

Mail: [regom@regom.cz](mailto:regom@regom.cz)

Skype: regom-office

**[www.regom.cz](http://www.regom.cz)**