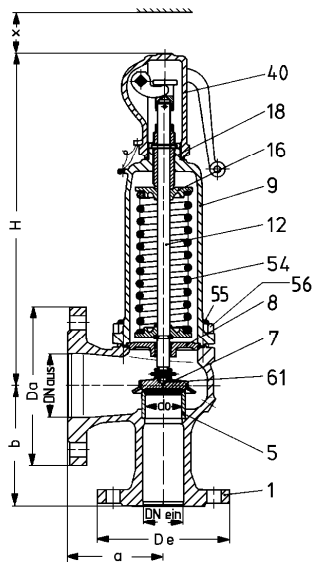


SAFETY VALVES

spring loaded safety valves for liquids, gases and steam with open or closed spring cap

Type 6
60

MATERIALS			
NOMINAL DIAMETER	up to DN 150		from DN 200
1 BODY	GG-25 / GS-C 25 / 1.4408		GGG-40.3 / C22.8 / H11 / St 35.8 / 1.4571
5 SEAT	1.4404		1.4404 DN 200 - 250: 1.0305 / 1.4571 DN 300 - 400: 1.0460 / 1.4571
7 CONE	1.4122 / 1.4404		1.4122 / 1.4571
8 GUIDE	0.7040 / 1.0501 / 1.4104 / 1.4404		1.0038 / 1.4571
9 SPRING CAP	0.7040 (0.7043 / 1.0619) / 1.4408 / 1.4571		0.0743 / 1.4571
12 SPINDLE	1.4021 / 1.4404		1.4021 / 1.4404
16 SPRING PLATE	1.0718 / 1.4404		1.0570 / 1.4571
18 ADJUSTING SCREW	1.4404 / 1.4104 with PTFE-bush		1.4404 with PTFE-bush
54 SPRING up to 200 °C	1.1200 / 1.7102 / 1.8159 / 1.4310		1.7102 / 1.8159 / 1.4310
from 200 °C	1.7102 / 1.8159 / 1.4310		1.7102 / 1.8159 / 1.4310



Type 6

DIMENSIONS [mm]													
DN inlet	20	25	32	40	50	65	80	100	125	150	200	250	300
DN outlet	40	40	50	65	80	100	125	150	200	250	300	350	400
do	18	23	29	37	46	60	74	92	98	125	165	200	235
a	95	100	110	115	120	140	160	180	200	225	300	325	394
b	85	105	115	140	150	170	195	220	250	285	305	340	330
H (O/G) *	217	232	315	356	403	481	558	615	615	735	request 5	1115	1240
H (M/N) *	218	233	325	366	413	526	603	660	660	735		1115	1240
H (M/G) *	219	234	331	372	419	529	606	663	663	735		1115	1240
X	150	150	200	250	300	350	400	450	450	450	700	700	850

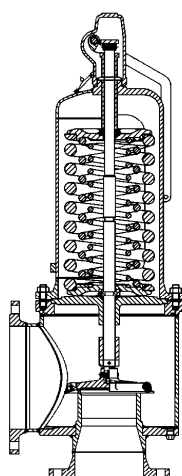
Dimensions for CrNiMo-steel design on request

*O/G = without lifting device, gastight cap

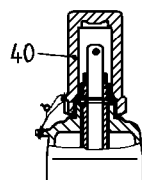
*M/ N = with lifting device, not gastight

*M/G = with lifting device, gastight cap

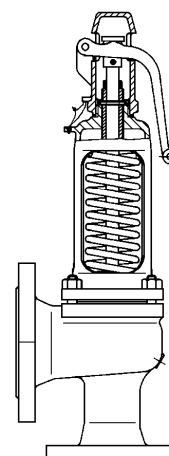
WEIGHTS [kg]													
Nominal diameter DN													
20	25	32	40	50	65	80	100	125	150	200	250	300	
9	9	12	16	22	32	56	75	85	131	285	335	384	



from DN 200 welded design



design O/G



Type 60