

Sight Glass Fittings, circular PN 6

to be **welded** directly to tank

regom
instruments

Bauform 119

Application:

For observation and lightning the inside of closed containers (boilers, tanks, silos a.s.o)

Operating conditions:

Working pressure: 6 bar
Working temperature: 150°C or 280°C

Options:

Sight glass wiper Bauform 190 + 195
Spray washer Bauform 198
Safety double windows Bauform 126
Sight glass light fittings
With O-ring-sealing (for vacuum)
Special design acc. to customer

Materials:

Base flange	RSt 37-2, H II, WN 1.4541, WN 1.4571
Cover flange	RSt 37-2, H II, WN 1.4541, WN 1.4571
Screws	5. 6 galv., A2-70, A4-70
Glass	Borosilicate glass acc. to DIN 7080 Soda lime glass acc. to DIN 8902
Gasket	asbestos free (or other materials)

Certificate: (Option)

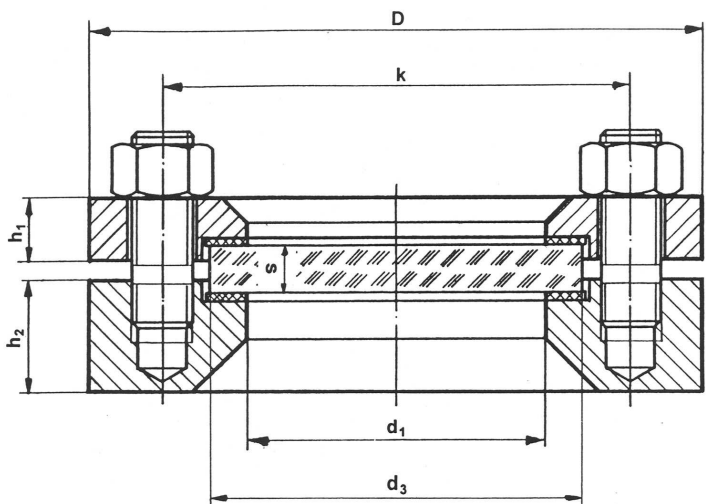
Acc. to EN 10204-2.2 or
Acc. to EN 10204-3.1

Delivery includes:

Complete fitting, consisting of base and cover flange, glass plate, sealings and screws

Following DIN 28120

For low pressure
up to 6 bar



Dimensions:

DN	d ₁	d ₃	s	D	k	h ₁	h ₂	Screws
50	80	100	15	165	125	16	30	4 x M 16
80	100	125	15	200	160	18	30	8 x M 16
100	125	150	15	220	180	18	30	8 x M 16
125	150	175	20	250	210	18	30	8 x M 16
150	175	200	20	285	240	18	36	8 x M 20
200	225	250	25	340	295	20	36	8 x M 20

Modification reserved

REGOM INSTRUMENTS s.r.o.
Brabcova 1159 / 2
147 00 Praha 4
CZECH REPUBLIC

Tel: +420 241 402 206
Fax: +420 241 400 290
Mail: regom@regom.cz
Skype: regom-office
www.regom.cz

regom
instruments