

**Sight Glass Fittings, circular,**  
acc. to **DIN 28120**  
to be **welded** directly to tank

**Application:**

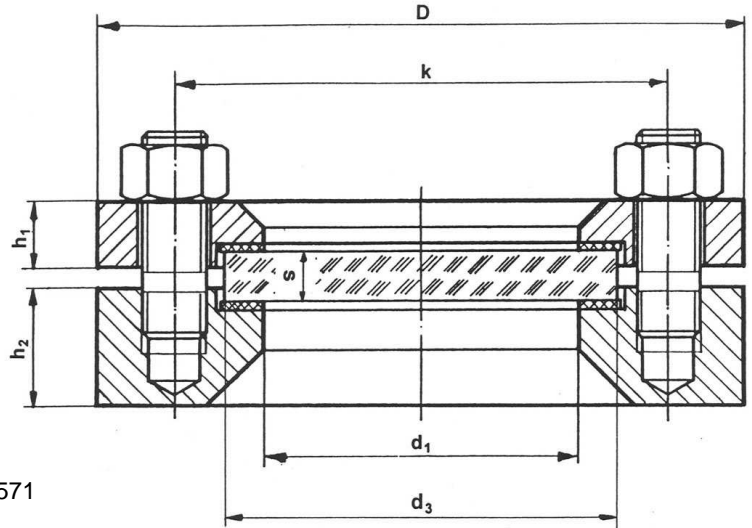
For observation and lightning the inside of closed containers  
( boilers, tanks, silos a.s.o )

**Operating conditions:**

Working pressure: 10 or 16 bar  
Working temperature: 150°C or 280°C

**Options:**

Sight Glass wiper Bauform 190 + 195  
Spray washer Bauform 198  
Safety double windows Bauform 126 + 120-D  
Sight glass light fittings  
Lined, Type B, acc. to DIN 28120  
With O-ring-sealing (for vacuum)  
Special design acc. to customer



**Materials:**

Base- and coverflange	RSt 37-2, H II, C 22.8, 1.4541, 1.4571 or on request
Glass	Soda lime glass acc. to DIN 8902 Borosilicate glass acc. to DIN 7080
Gaskets	Kingersil or on request
Screws/Nuts	Steel 5.6 gal. / A2-70 / A4-70

**Delivery includes:**

Complete fitting, consisting of base and cover flange,  
glass plate, gaskets and screws with nuts

**Certificate: ( Option )**

Acc. to EN 10204-2.2 or  
Acc. to EN 10204-3.1

**Dimensions:**

DN	PN	d <sub>1</sub>	d <sub>3</sub>	s	D	k	h <sub>1</sub>	h <sub>2</sub>	Screws
25	10	48	63	10	115	85	16	25	4 x M 12
	16								
40	10	65	80	12	150	110	16	30	4 x M 16
	16								
50	10	80	100	15	165	125	16	30	4 x M 16
	16								
80	10	100	125	15	200	160	20	30	8 x M 16
	16			20					
	25								
100	10	125	150	20	220	180	22	30	8 x M 16
	16			25					
	25								
125	10	150	175	20	250	210	25	30	8 x M 16
	16			25					
	25								
150	10	175	200	25	285	240	30	36	8 x M 20
	16			30					
	30								
200	10	225	250	30	340	295	35	36	8 x M 20



Modification reserved