



PHARMACEUTICALS



COSMETICS+TOILETRIES





MEDICAL+OPHTHALMIC



NUTRACEUTICALS



  	t: +44 (0) 1753 515 300 f: +44 (0) 1753 515301 e: sales@hanovia.com Hanovia Ltd, 780 Buckingham Avenue, Slough, Berkshire, SL1 4LA United Kingdom		
	Visit our website for further information at www.hanovia.com	Follow us on	 



PharmaLine DP

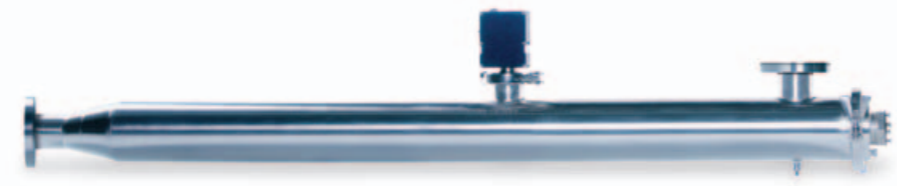
Disinfection for pre-treatment process waters



Technical Specification

UV Chamber	
Material:	StSt 316L / 1.4404
Internal finish:	As made pipe and tube, welds left as laid electropolished and passivated
External finish:	Sateen polish (120 grit) electropolished and passivated
Process (mating) connections:	Flange DN series PN16 rated
Drain connection:	BSPT
End plate:	Removable Tri-clamp
Degree of protection:	IP65 equivalent to NEMA 4 but not suitable for outside use
Arc tube (lamp):	Low pressure amalgam / high purity quartz
Arc tube enclosure:	High purity quartz
Number of arc tubes (lamps):	1
Expected lamp life:	12000-16000 hours
Temperature sensor:	No
UV monitor:	Wet UV monitor
Working fluid temperature:	+5°C to +40°C
Maximum CIP temperature:	95°C with lamp off
Hydrostatically pressure tested:	Yes to PED requirements EN13445
Operating / Design pressure:	6 bar / 7 bar
Pressure Loss:	Typically < 40 mbar
Seals:	EPDM FDA approved

Cabinet	
Material:	Polyester coated carbon steel
Degree of protection:	IP65 / NEMA 4
Supply voltages:	230V (207V to 253V) or 115V (104V to 126V) 50/60Hz
Operating temperature range:	+5°C to +40°C
Relative humidity:	<90%
Cooling fans:	No
Interconnecting cable lengths:	5m
External interface:	4-20mA signal for UV intensity %, Volt Free Contacts for Lamp ON, Low UV warning,



PharmaLine DP

Disinfection for pre-treatment process waters

Product Specific Data

Features

Operational Features:

- Lamp on/off
- Remote start / stop
- Alarm reset button
- Low UV warning
- Horizontal or vertical mounting

Screen Display Features:

- 2 line x 16 character backlit LCD with indication of System Status
- Remote mode
- UV intensity %
- Warning and trip messages
- Total hours run
- English language.

Alarm Message Features:

- Lamp fail
- Low UV % intensity
- Unit tripped

Safety Features:

- Door interlocked cabinet isolator
- Separate door lock
- Resettable circuit breaker
- Power on LED

Options

- Validation Support Pack
- Stainless Steel cabinet (304)
- Printed operating, menu and safety guides available in Chinese, French and German
- Ultronic control 230V (207 to 263V) CE and UL approved with pre calibrated DVGW compliant dry UV monitor
- Chamber internal finish 0.38µm welds as laid electropolished and passivated
- Auto-wiper with status LED's (except DL 0003) pneumatic operation
- ANSI 150 flanges and NPT drain
- CIP maximum 130°C with cabinet electrically isolated

Approvals

- CE following the low voltage and EMC directives conforming to EN61000-3-2, 3-3, 6-2 and 6-4 230V version only

Additional Information

All dimensions are approximate for clearance purposes only. Hanovia has a policy of continuous product development, exact drawings are available on request. All specifications are subject to change without notification. Your Distributor or Hanovia Account Manager can advise on correct dosage and specific requirements.

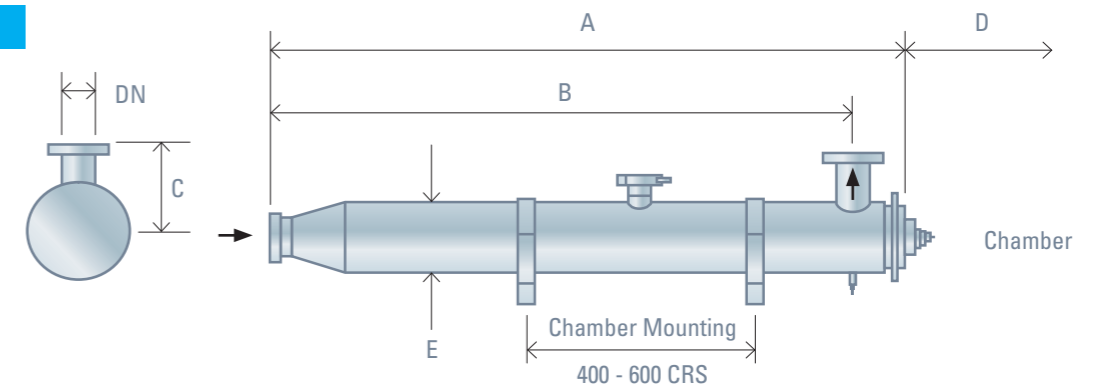
A HALMA COMPANY



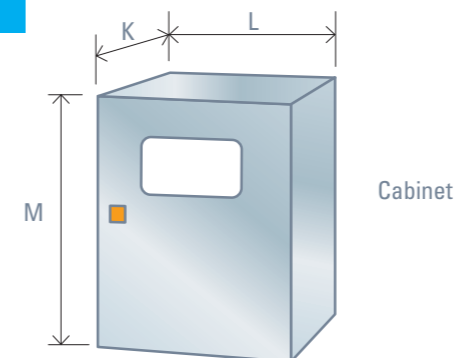
Certificate No: FM29365

Dimensions (mm)

Chamber:



Cabinet:



Model	Maximum Disinfection Capacity * (m ³ /hr)	Min. T ₁₀ (%)	Dimensions (mm)						DN	230V			110V			Approx Weight (Kg)		
			A	B	C	D	E	K**		L**	M**	K**	L**	M**	Chamber (Empty)	Power Supply	Power (W)	
PharmaLine DP 0003***	3.5	70	920	840	100	800	63	25	225	300	550	275	400	750	5	18	80	
PharmaLine DP 0007	7.3	70	1385	1273	150	1300	102	40	225	300	550	275	400	750	9	18	80	
PharmaLine DP 0013	12.7	70	1385	1273	150	1300	102	50	225	300	550	275	400	750	9	18	140	
PharmaLine DP 0023	23	70	1385	1273	150	1300	102	50	225	300	550	275	400	750	9	18	270	
PharmaLine DP 0047	46.8	70	1437	1300	200	1300	168	80	225	300	550	275	400	750	25	18	270	

* The maximum disinfection capacity is based on a dose of 26mJ/cm² RED MS2 phage T₁₀ 95%

**Cabinet dimensions allow for door isolator, bottom cable entry and bracket space

*** No wiper option