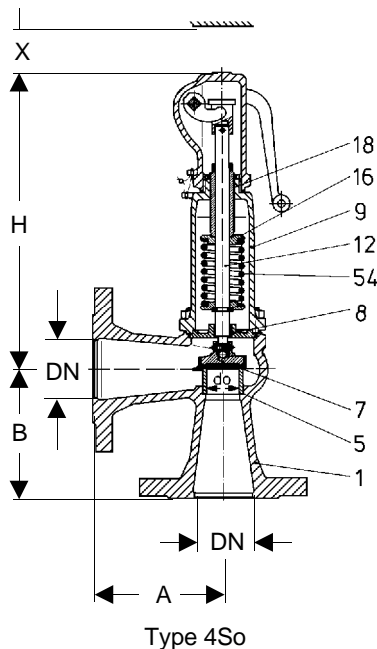


# SAFETY VALVES

spring loaded safety valves  
for liquids, gases and steam  
with open or closed spring cap

Type 4  
40

| MATERIALS |                 |                          | stainless steel                   |
|-----------|-----------------|--------------------------|-----------------------------------|
| 1         | BODY            | GG-25 / GGG-40 / GS-C 25 | 1.4408                            |
| 5         | SEAT            | 1.4571 / 1.4404          | 1.4571 / 1.4404                   |
| 7         | CONE            | 1.4122                   | 1.4404                            |
| 8         | GUIDE           | 1.4104 / 1.0501 / 0.7040 | 1.4404                            |
| 9         | SPRING CAP      | 0.7040 (0.7043 / 1.0619) | 1.4408                            |
| 12        | SPINDLE         | 1.4021                   | 1.4404                            |
| 16        | SPRING PLATE    | 1.0718 / 1.4404          | 1.4404                            |
| 18        | ADJUSTING SCREW | 1.4104 with PTFE-bush    | 1.4404 with PTFE-bush             |
| 54        | SPRING          | up to 200°C              | 1.1200 / 1.7102 / 1.8159 / 1.4310 |
|           |                 | from 200°C               | 1.7102 / 1.8159 / 1.4310          |



| DIMENSIONS [mm] |     |     |     |     |     |     |     |     |     |     |     |  |
|-----------------|-----|-----|-----|-----|-----|-----|-----|-----|-----|-----|-----|--|
| DN inlet        | 15  | 20  | 25  | 32  | 40  | 50  | 65  | 80  | 100 | 125 | 150 |  |
| DN outlet       | 15  | 20  | 25  | 32  | 40  | 50  | 65  | 80  | 100 | 125 | 150 |  |
| do              | 12  | 18  | 18  | 18  | 23  | 29  | 37  | 46  | 60  | 74  | 92  |  |
| A               | 90  | 95  | 100 | 105 | 115 | 125 | 145 | 155 | 175 | 200 | 225 |  |
| B               | 90  | 95  | 100 | 105 | 115 | 125 | 145 | 155 | 175 | 200 | 225 |  |
| H ( O/G ) *     | 218 | 218 | 218 | 218 | 218 | 233 | 315 | 360 | 400 | 500 | 600 |  |
| H ( M/N ) *     | 220 | 220 | 220 | 220 | 220 | 235 | 325 | 370 | 430 | 545 | 645 |  |
| H ( M/G ) *     | 215 | 215 | 215 | 215 | 215 | 230 | 330 | 375 | 435 | 540 | 640 |  |
| X               | 150 | 150 | 150 | 200 | 200 | 250 | 250 | 300 | 350 | 400 | 450 |  |

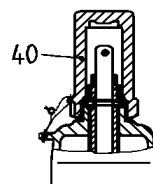
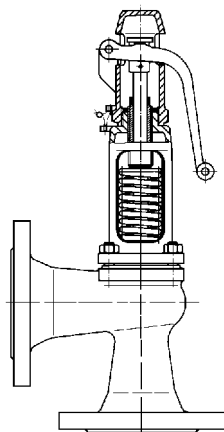
Dimensions for CrNiMo-steel design on request

\*O/G = without lifting device, gastight cap

\*M/ N = with lifting device, not gastight

\*M/G = with lifting device, gastight cap

| WEIGHTS [kg]        |    |    |    |    |    |    |    |     |     |     |  |
|---------------------|----|----|----|----|----|----|----|-----|-----|-----|--|
| nominal diameter DN |    |    |    |    |    |    |    |     |     |     |  |
| 15                  | 20 | 25 | 32 | 40 | 50 | 65 | 80 | 100 | 125 | 150 |  |
| 5                   | 6  | 6  | 8  | 9  | 12 | 15 | 20 | 33  | 48  | 65  |  |



Mankenberg reserves the right, to alter or improve the designs or specifications of the products described herein without notice.  
Special designs on request.